

ECO LIFT ASSEMBLY MANUAL

WARRANTY DISCLAIMER

READ BEFORE USING PRODUCT

This product is a specialized lift designed exclusively for lightweight competition vehicles, specifically those weighing less than 4500 pounds and used off-highway. It is important to note that DirtCarLift.com does not have direct knowledge of the individuals who will utilize this lift or the specific contexts in which it will be employed.

This lift is a component that should be integrated into a larger system. It is crucial to use additional safety equipment, such as jack stands, which are not supplied with this product. Furthermore, only individuals who are proficient in operating hydraulic lifts should handle this equipment.

Due to the variable nature of how this lift may be used, DirtCarLift.com cannot provide any warranty, whether explicit or implied. The responsibility to determine the appropriateness of this lift for a particular racing application rests solely with the end user. It is imperative to understand that this lift is not designed for, nor should it be used in, vehicles that are driven on public highways. It has not been certified for such use. Improper use of this product could lead to severe injury or even fatality. The end user assumes all responsibility for any risks associated with the use of this lift

PLEASE CYCLE LIFT UP AND DOWN AT LEAST TWICE TO BLEED AIR FROM THE HYDRAULIC SYSTEM BEFORE LIFTING YOUR CAR. FAILURE TO DO SO MAY RESULT IN THE LIFT TWISTING.

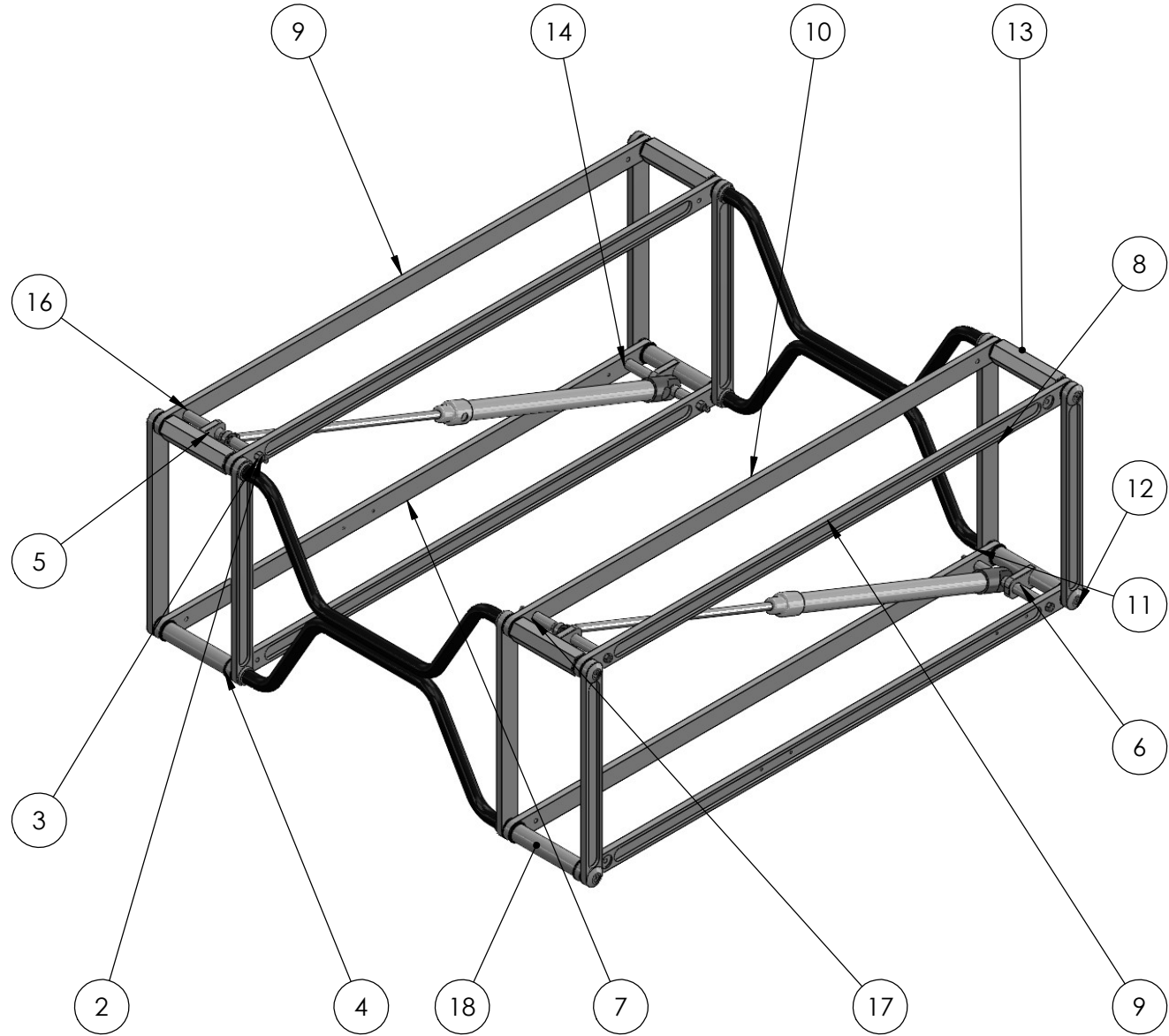
BEWARE OF:

- PINCH POINTS
- OVER TIGHTENING FASTENERS
- STRIPPING FASTENERS
- INSUFFICIENT GREASING
- LOOSE PARTS
- LOSING PARTS

DO NOT:

- EXCEED WEIGHT LIMIT OF 4500 POUNDS
- CUT INTO OR SHAVE OFF ANY MATERIAL FROM THE PRODUCT
- REPLACE OR CHANGE PARTS, UNLESS OTHERWISE INSTRUCTED BY MANUFACTURER
- OPERATE A DAMAGED PRODUCT
- INSTALL OR USE PRODUCT UPSIDE DOWN
- EXCESSIVELY DRIVE BOLTS AFTER THEY HAVE BEEN FULLY SEATED
- ASSEMBLE ANY PARTS WITHOUT READING THE NOTES
- ASSEMBLE TIGHT FIT PARTS WITHOUT PROPERLY GREASING THEM
- USE INCOMPATIBLE GREASE OR HYDRAULIC FLUID WITH THE LIFT

ITEM NO.	PART NUMBER	QTY.
1	1/4-20X.5" FLATHEAD SCREW	8
2	3/8-16X8" HEX HEAD SCREW	4
3	3/8-16 LOCKNUT	4
4	BLACK SPACER	32
5	BOLT SUPPORT HEX	2
6	BOLT SUPPORT RUNNER	2
7	ECO HANDLE LONG BAR	2
8	ECO LADDER	8
9	ECO LONG BAR	2
10	ECO THREADED LONG BAR	4
11	ECO XBAR	2
12	ENDCAP	8
13	HEX	4
14	HYDRAULIC SPACER LONG W/GROOVE	2
15	HYDRAULIC SPACER SHORT W/GROOVE	2
16	HYDRAULIC SPACER LONG	2
17	HYDRAULIC SPACER SHORT	2
18	RUNNER	4
19	HYDRAULIC CYLINDERS	2



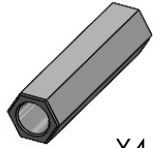
GRAPHICS

BLACK SPACER



X32

HEX 5.875



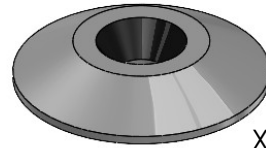
X4

RUNNER 5.875



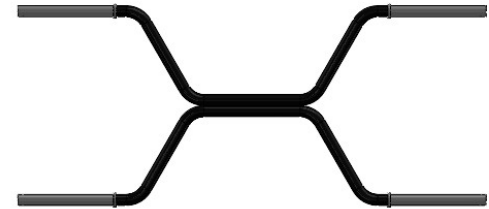
X4

ENDCAP



X8

ECO XBAR



X2

HYDRAULIC SPACER LONG



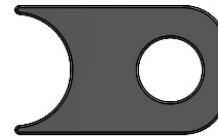
X2

HYDRAULIC SPACER SHORT



X2

BOLT SUPPORT RUNNER



X2

1/4-20X.5 FLAT HEAD CAP SCREW



X8

HYDRAULIC SPACER LONG W/GROOVE



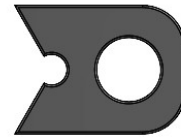
X2

HYDRAULIC SPACER SHORT W/GROOVE



X2

BOLT SUPPORT HEX



X2

3/8-16 LOCKNUT



X4

HYDRAULIC CYLINDERS



X2

3/8" X8" HEX HEAD SCREW



X4

ECO LONG BAR



X2

ECO HANDLE LONG BAR



X2

ECO THREADED LONG BAR



X4

ECO LADDER

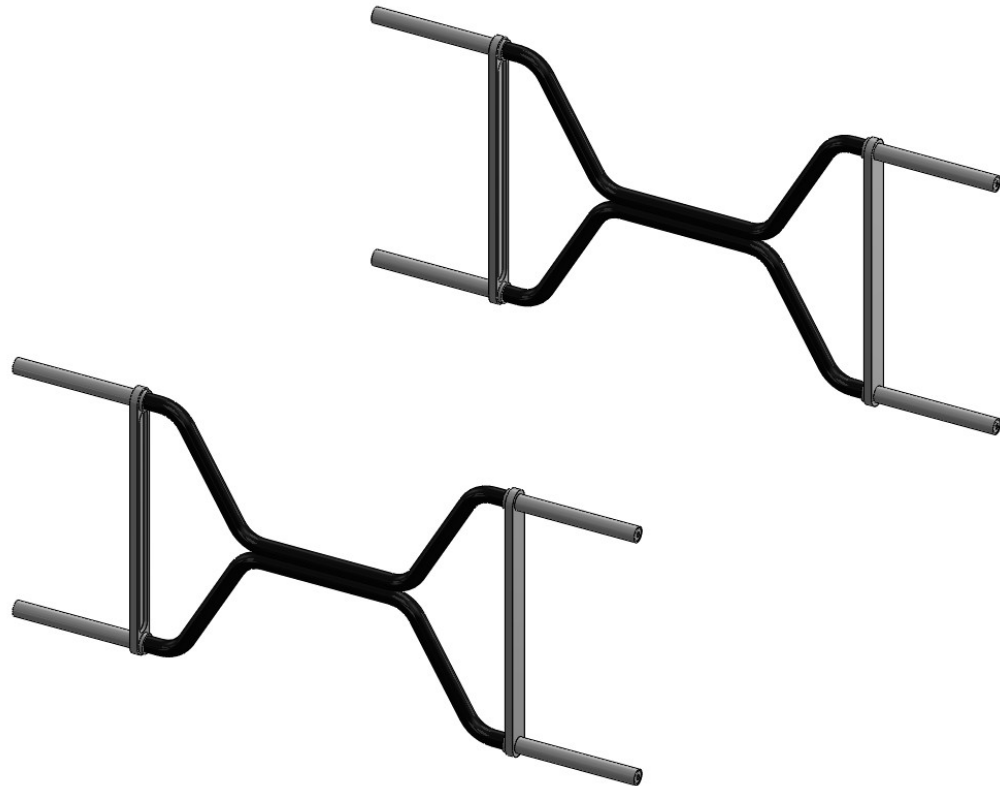


X8

BEFORE YOU BUILD

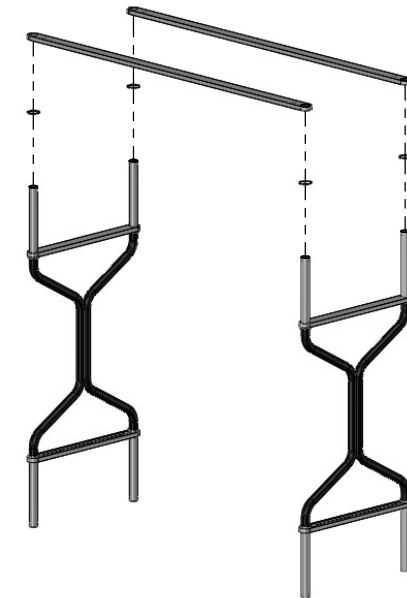
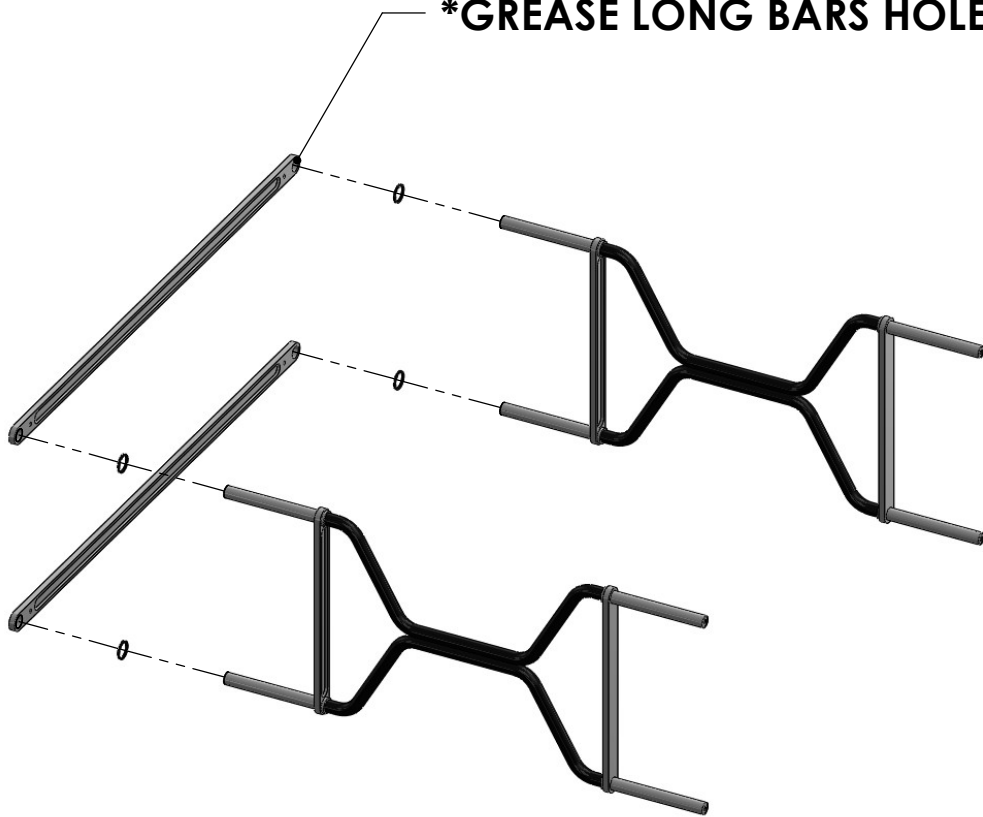
- THIS DOES REQUIRE GREASE. ANY CHASSIS OR BEARING GREASE
- SORT PARTS TO MAKE IT EASIER TO ASSEMBLE
- GET ALL THE TOOLS YOU NEED
 - 1/4 ALLEN WRENCH KEY
 - 3/16 ALLEN WRENCH KEY
 - 5/32 ALLEN WRENCH KEY
 - 1/8 ALLEN WRENCH KEY
 - 1/2 WRENCH
 - 9/16 WRENCH
 - 1/4 WRENCH
 - RUBBER Mallet
 - FLATHEAD SCREWDRIVER SMALL SIZE
- MAKE SURE YOU HAVE A CLEAN WORKSPACE
- BE SURE TO GREASE BLACK SPACERS AND LADDER OPENING
- APPLY RED THREAD LOCK WHEN DIRECTED

1

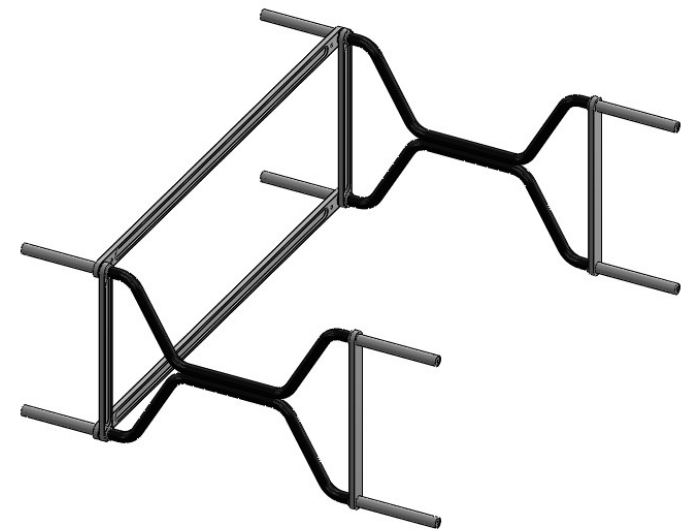


2

GREASE LONG BARS HOLES



TIP: STAND LIFT UP



BLACK SPACER
ECO THREADED LONG BAR



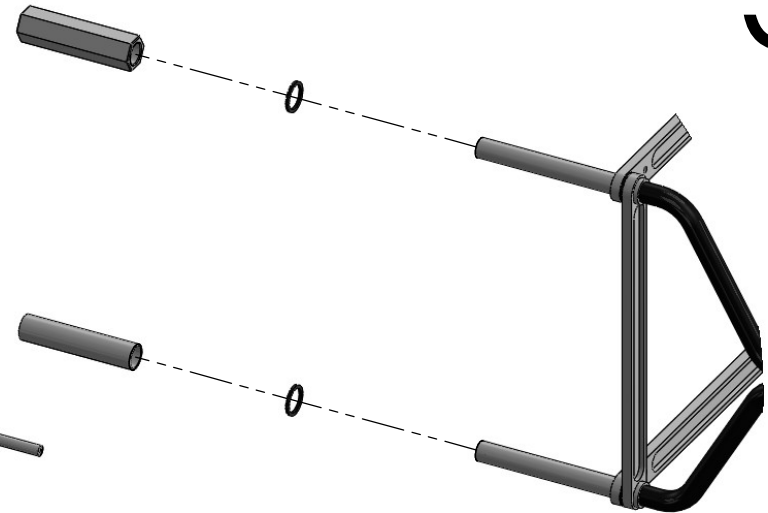
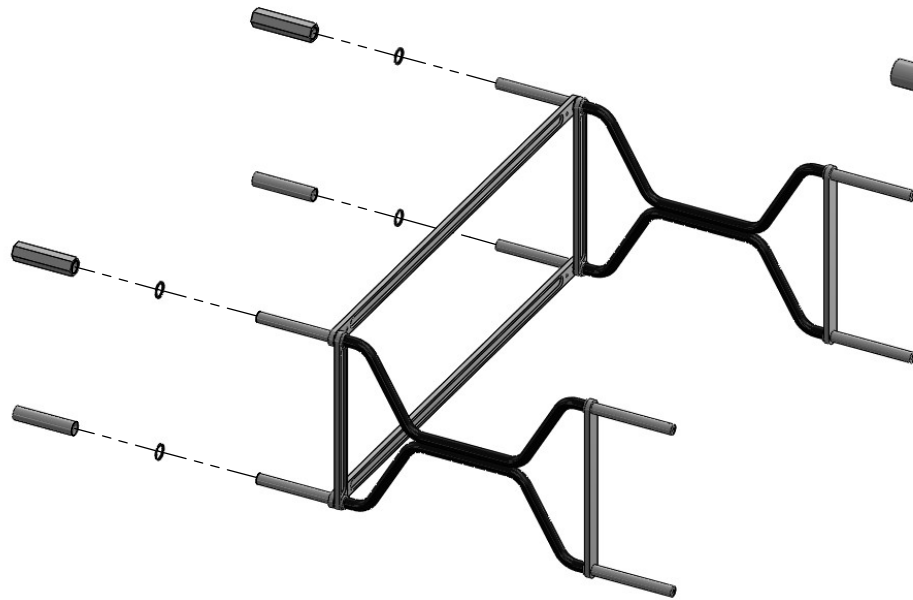
X4



X2

**TIP: KEEP LIFT STANDING UP,
MAKE SURE THE LIFT IS
BEING BUILT IN THE RIGHT
ORIENTATION.**

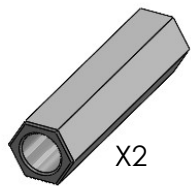
3



BLACK SPACER
HEX
RUNNER



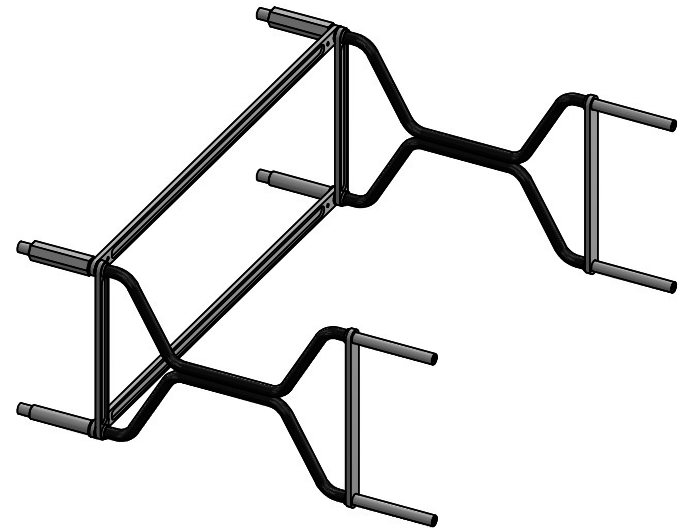
X4



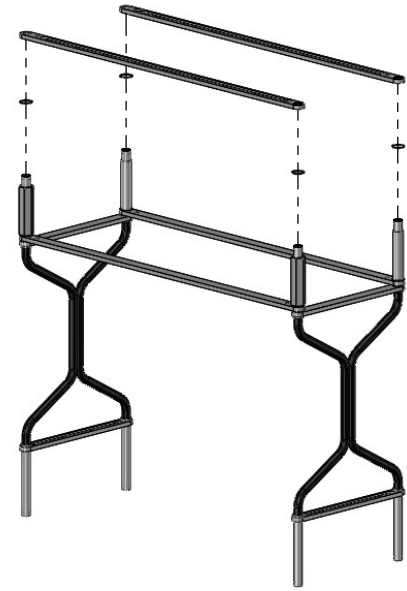
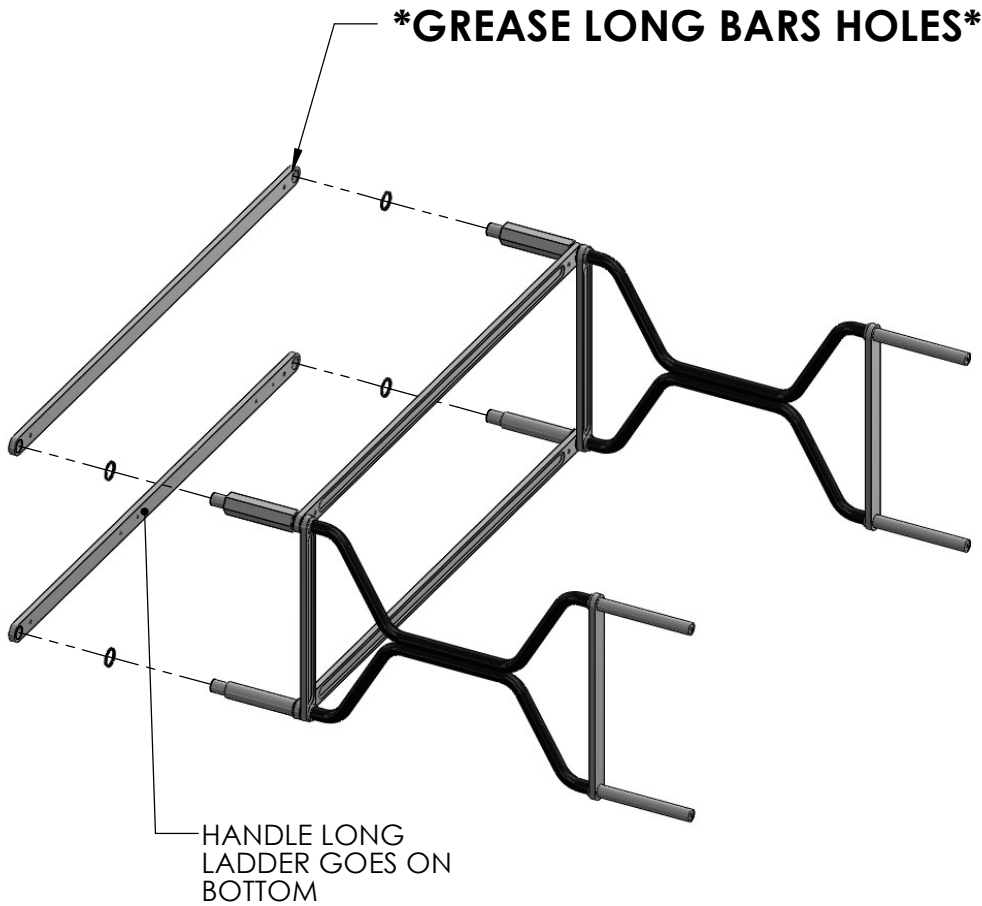
X2



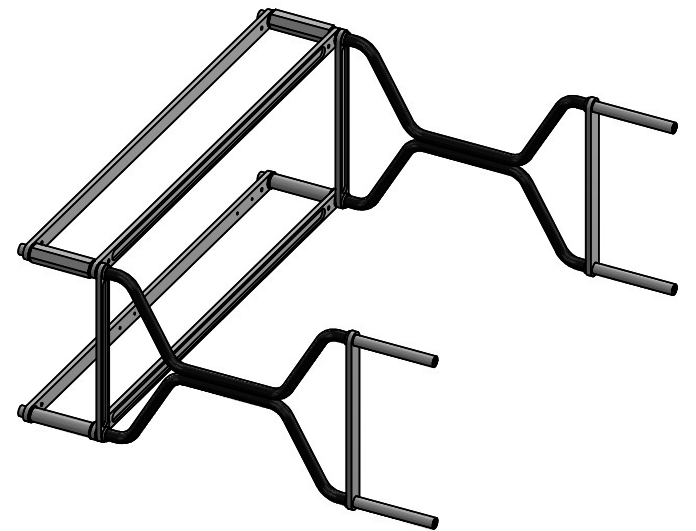
X2



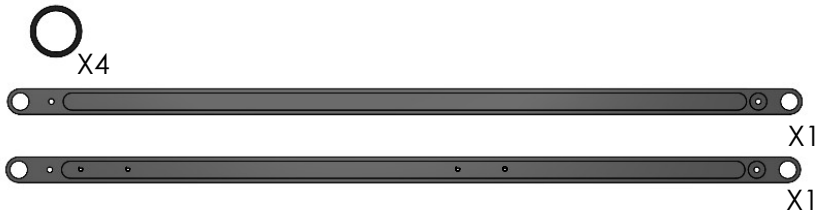
4



TIP: STAND LIFT UP



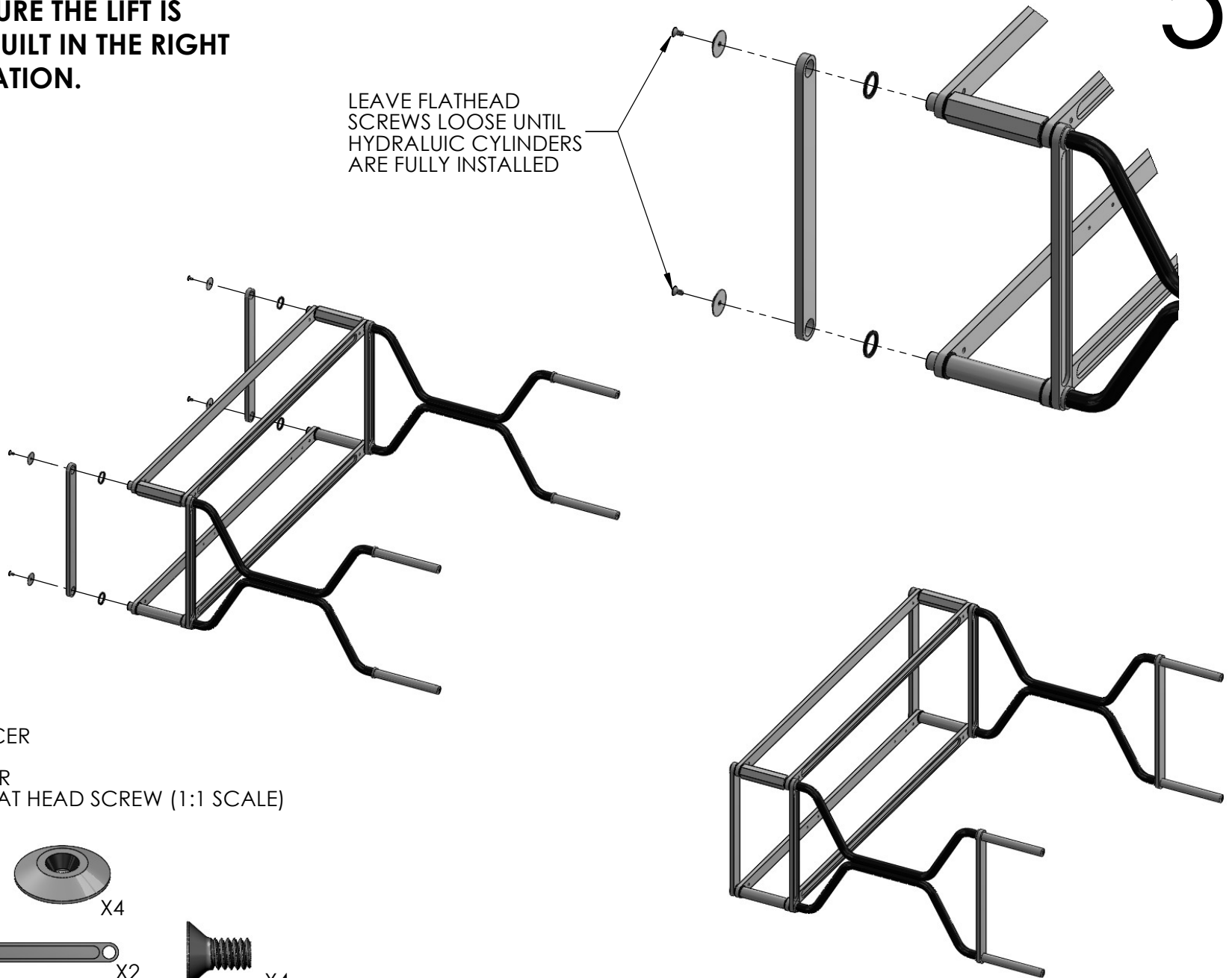
BLACK SPACER
ECO LONG BAR
ECO HANDLE LONG BAR



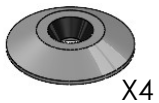
5

**TIP: KEEP LIFT STANDING UP,
MAKE SURE THE LIFT IS
BEING BUILT IN THE RIGHT
ORIENTATION.**

LEAVE FLATHEAD
SCREWS LOOSE UNTIL
HYDRALUIC CYLINDERS
ARE FULLY INSTALLED

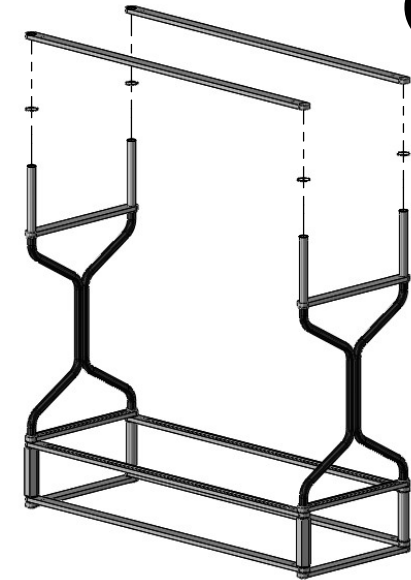
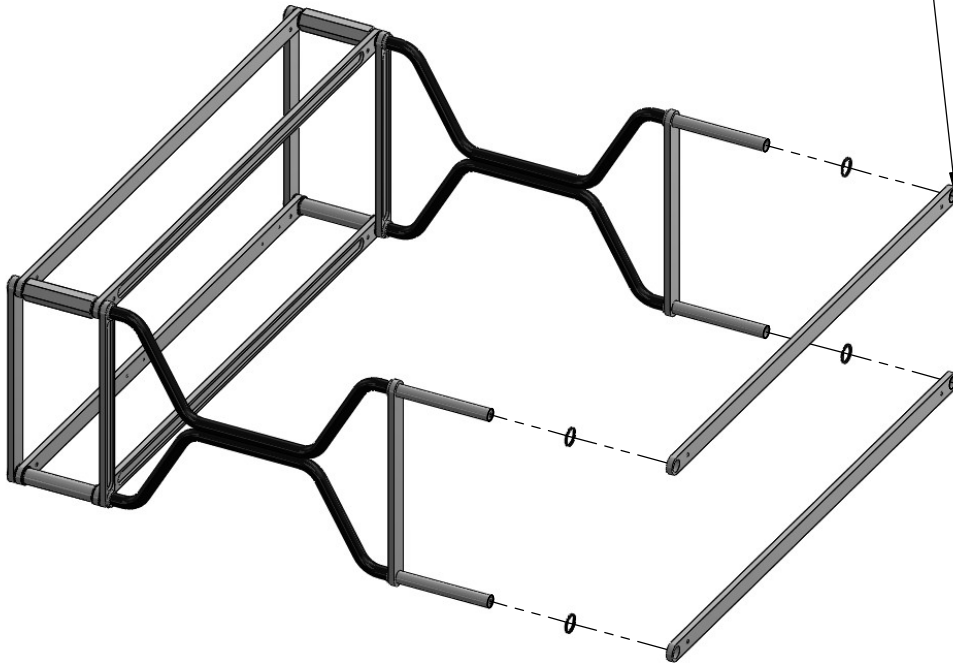


BLACK SPACER
ENDCAPS
ECO LADDER
1/4-20X.5 FLAT HEAD SCREW (1:1 SCALE)

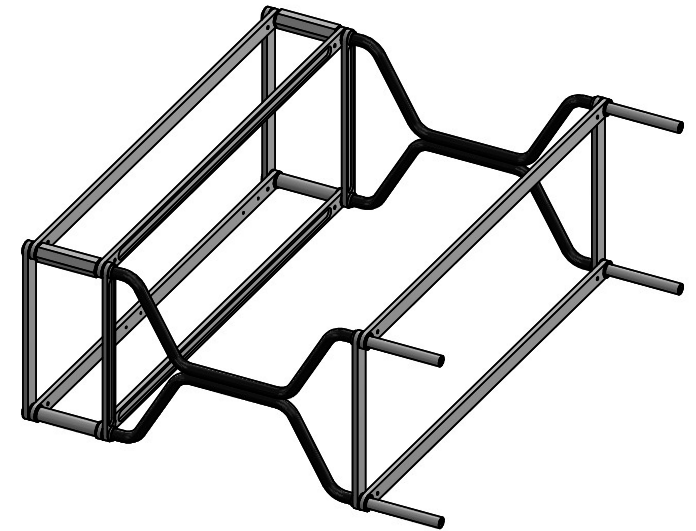


6

GREASE LONG BARS HOLES



TIP: STAND LIFT UP



BLACK SPACER
ECO THREADED LONG BAR



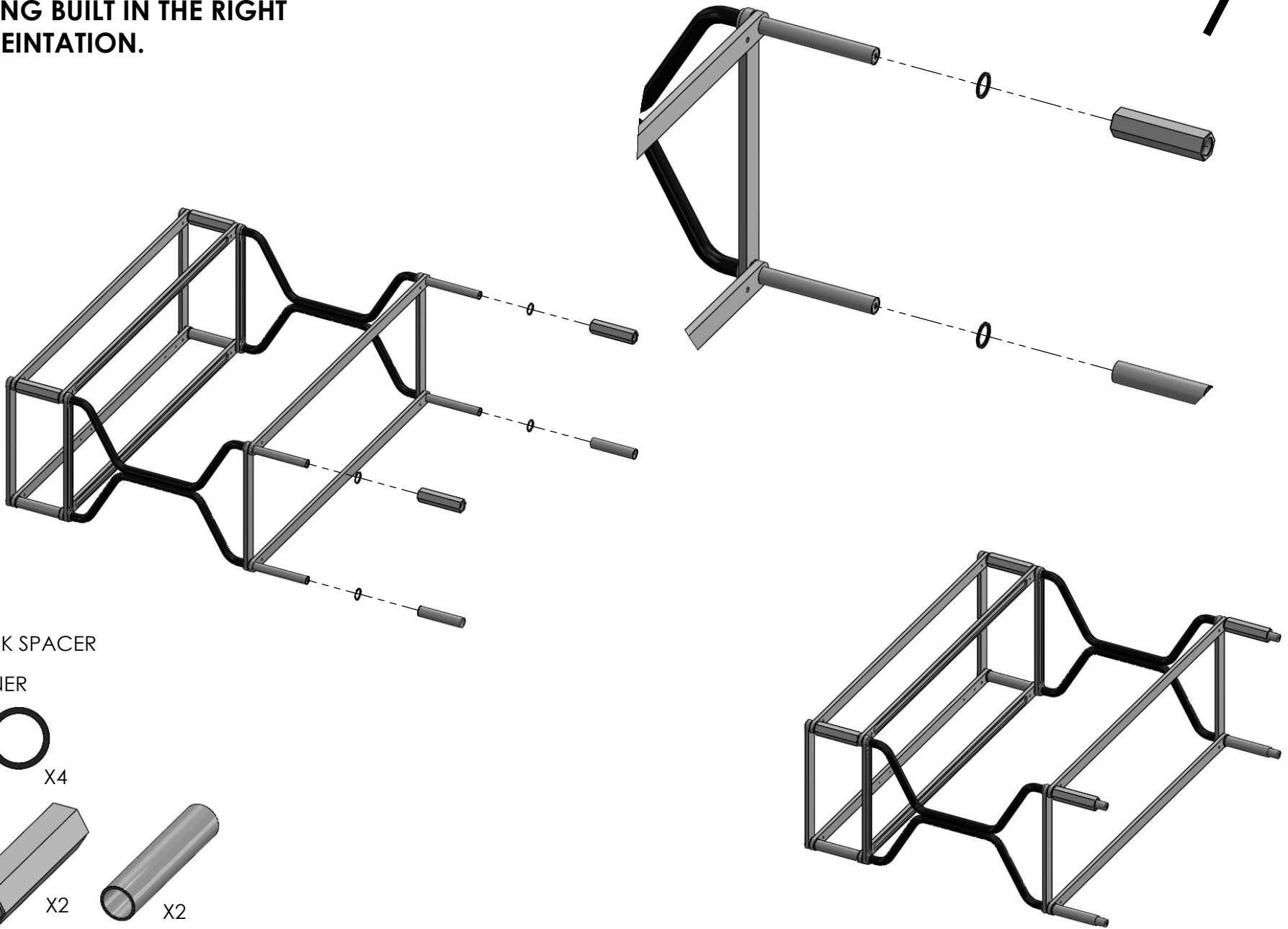
X4



X2

**TIP: KEEP LIFT STANDING UP,
MAKE SURE THE LIFT IS
BEING BUILT IN THE RIGHT
ORIENTATION.**

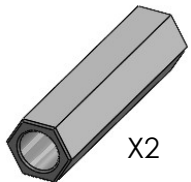
7



**BLACK SPACER
HEX
RUNNER**



X4



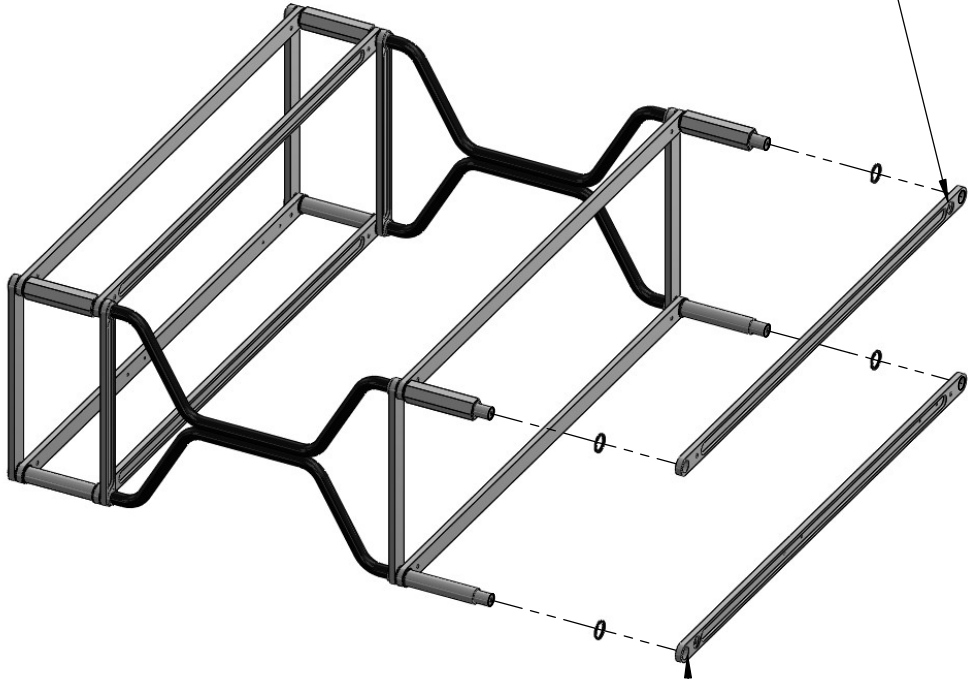
X2



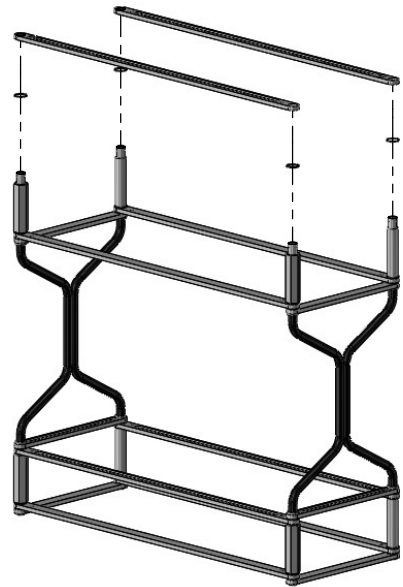
X2

8

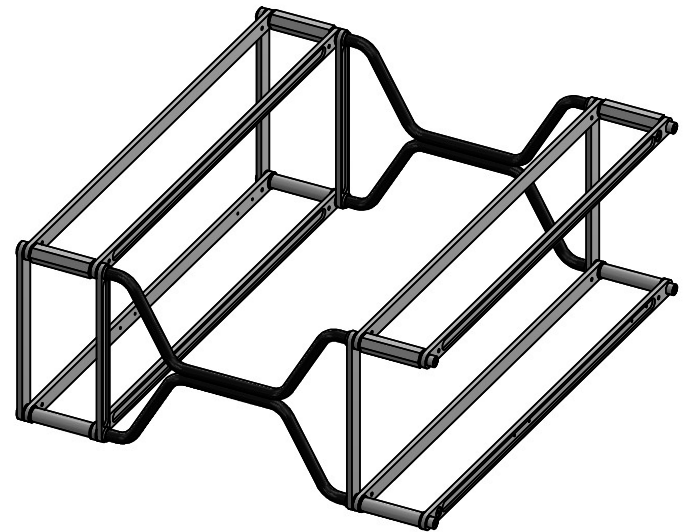
GREASE LONG BARS HOLES



HANDLE LONG
LADDER GOES
ON BOTTOM



TIP: STAND LIFT UP



BLACK SPACER
ECO LONG BAR
ECO HANDLE LONG LADDER



X4

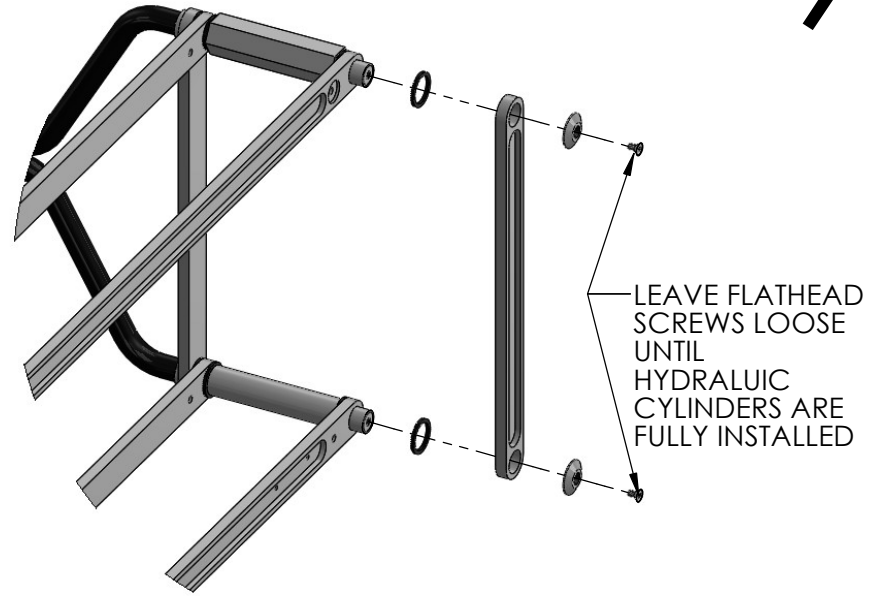
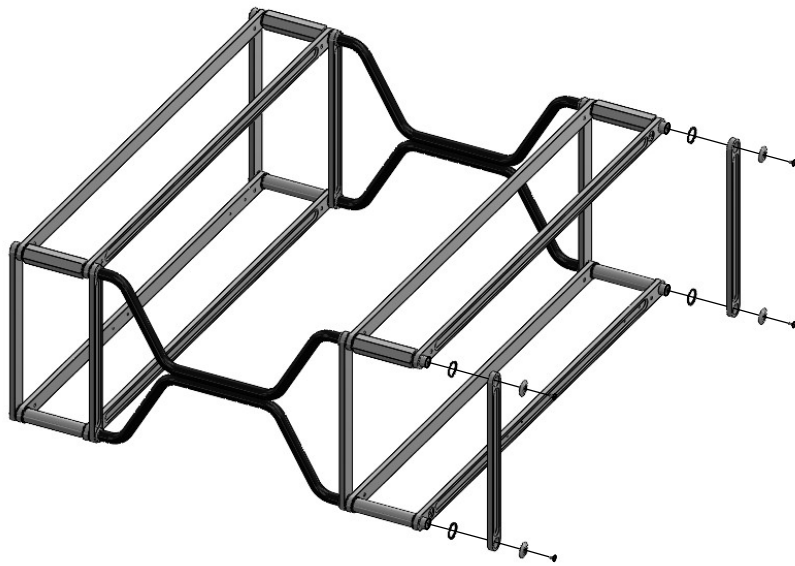


X1

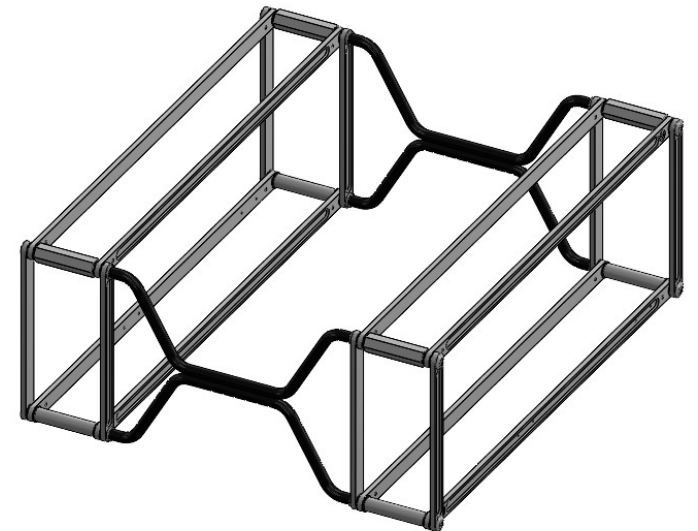
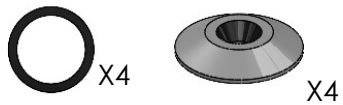


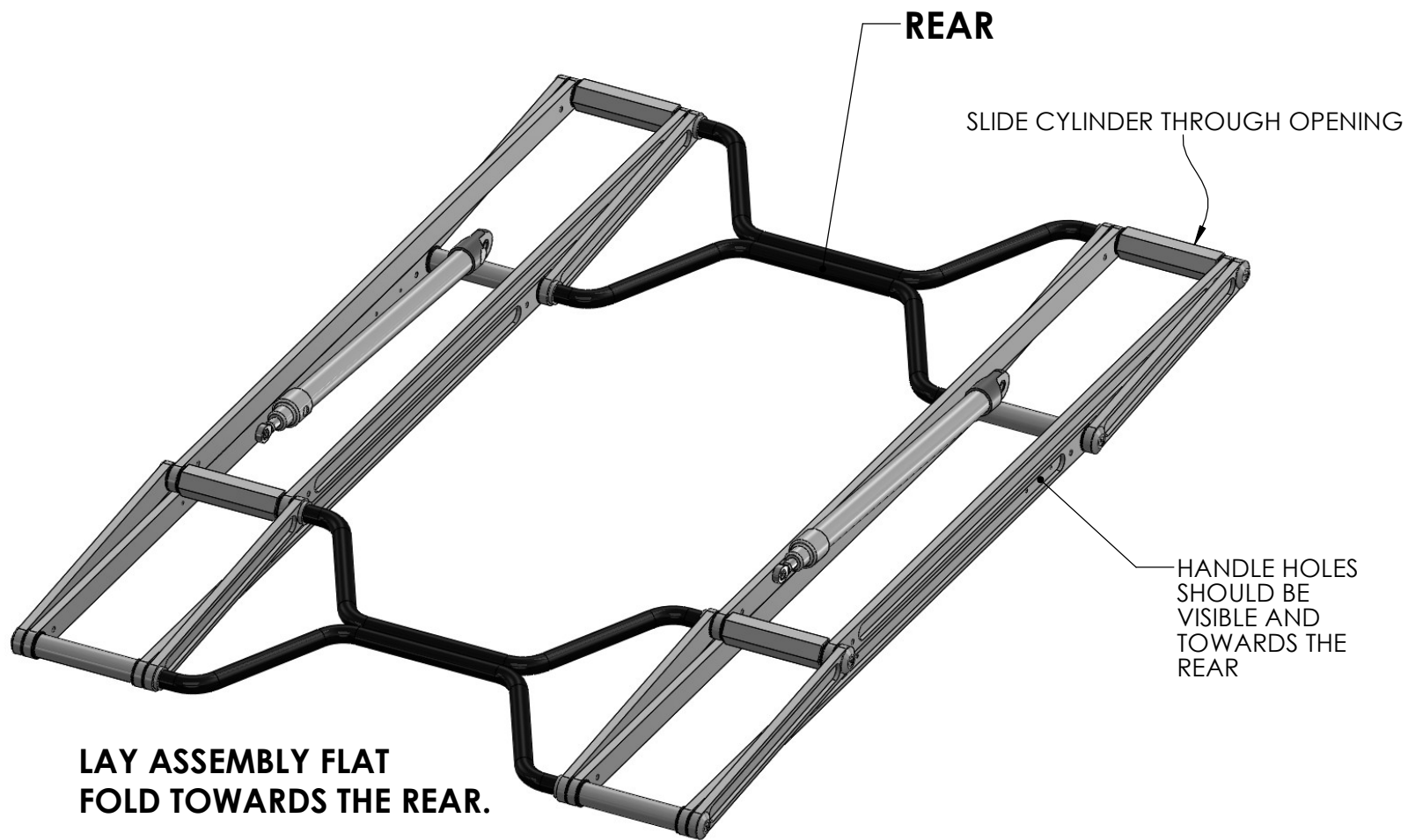
X1

**TIP: KEEP LIFT STANDING UP,
MAKE SURE THE LIFT IS
BEING BUILT IN THE RIGHT
ORIENTATION.**



BLACK SPACER
ENDCAPS
ECO LADDER
1/4-20X.5 FLAT HEAD SCREW (1:1 SCALE)





HYDRAULIC CYLINDER

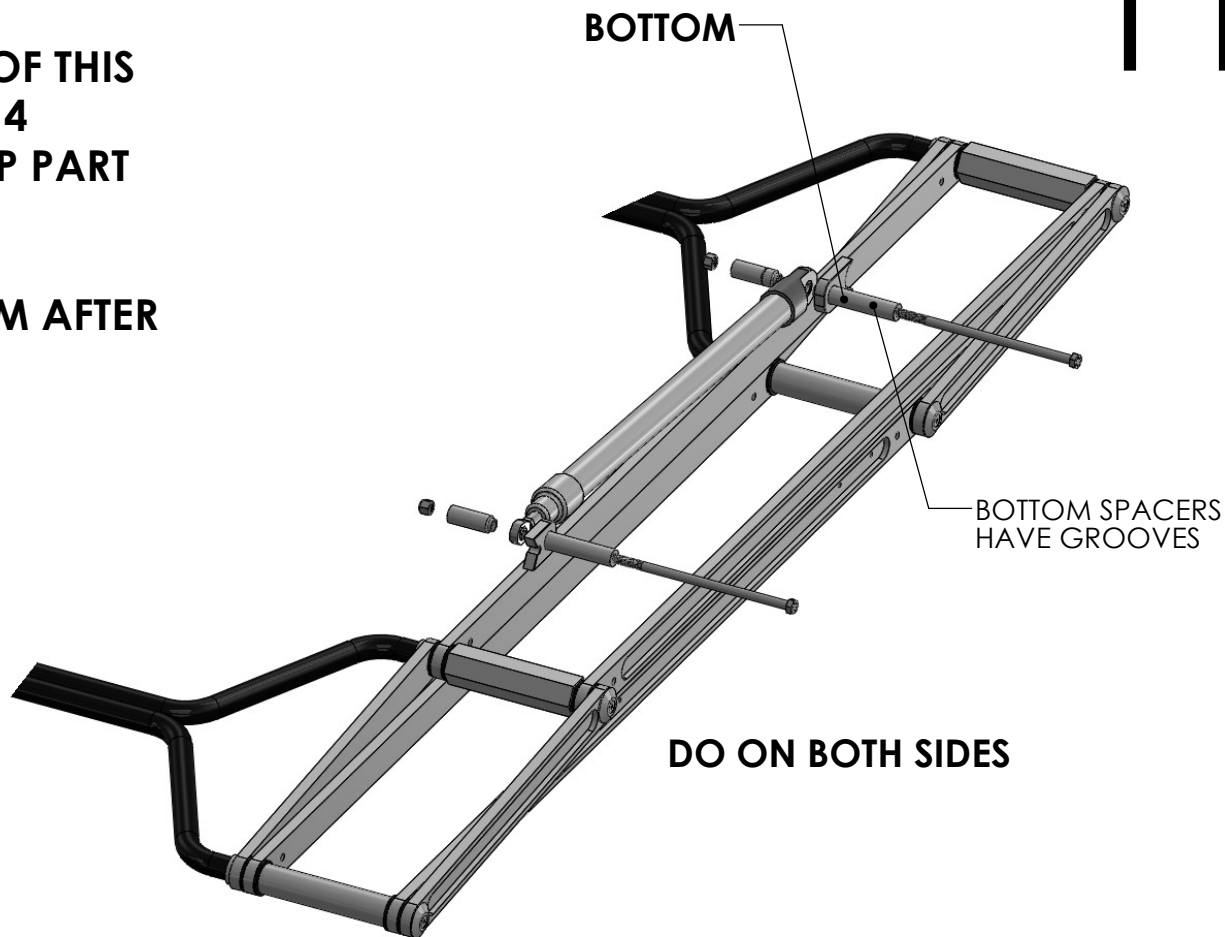


X2

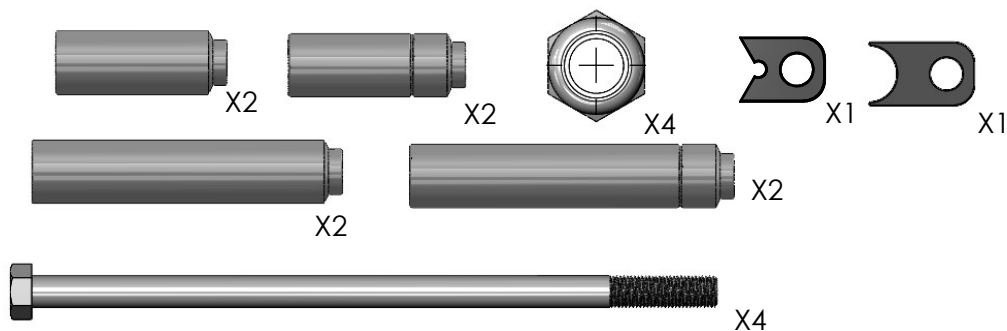
***THIS IS A CRITICAL STEP ***

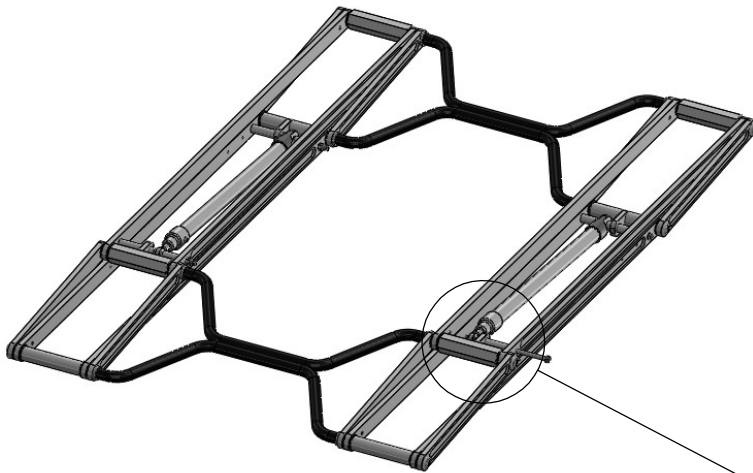
ASSEMBLE BOTTOM FIRST OF THIS STEP THEN REFER TO STEP 14 BEFORE FINISHING THE TOP PART OF THIS STEP.

TIGHTEN JAM NUT ON HEIM AFTER SETTING LENGTH

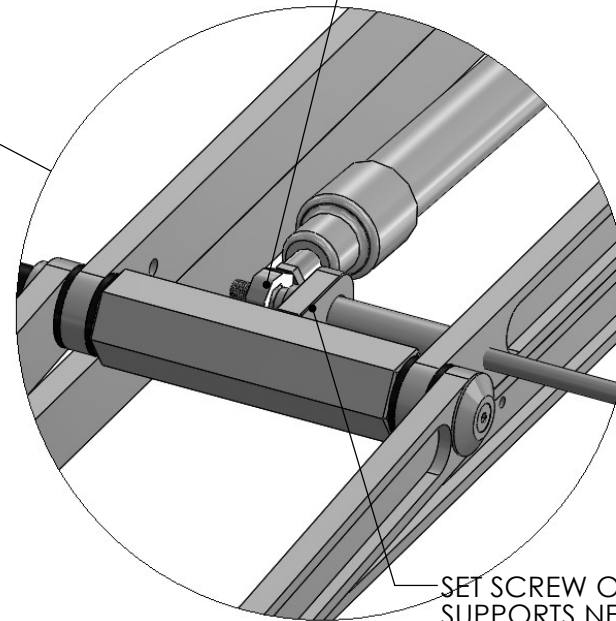


- 3/8-16X8" HEX HEAD SCREW
- 3/8-16 LOCKNUT
- CYLINDER BOLT SUPPORTS BOTTOM
- CYLINDER BOLT SUPPORTS TOP
- HYDRAULIC SPACER LONG W/GROOVE
- HYDRAULIC SPACER LONG
- HYDRAULIC SPACER SHORT W/GROOVE
- HYDRAULIC SPACER SHORT
- HYDRAULIC CYLINDER





ADJUST HEIM TO LINE UP THE HEX HEAD SCREW WITH THE THREADED HOLE ON THE LONG BAR.



SET SCREW ON BOLT SUPPORTS NEEDS TO FACE THE BOTTOM. THE BOLT SUPPORT ALSO NEEDS TO ALIGN IN THE MIDDLE OF THE HEX HEAD SCREW

THIS IS A CRITICAL STEP, IF THE HEIM IS NOT FASTENED CORRECTLY THEN HEX HEAD BOLTS WILL BEND.

FULLY RETRACT CYLINDER (SHORTEST LENGTH POSSIBLE) BEFORE SETTING THE HEIM LENGTH SO THE BOLT WILL LINE UP.

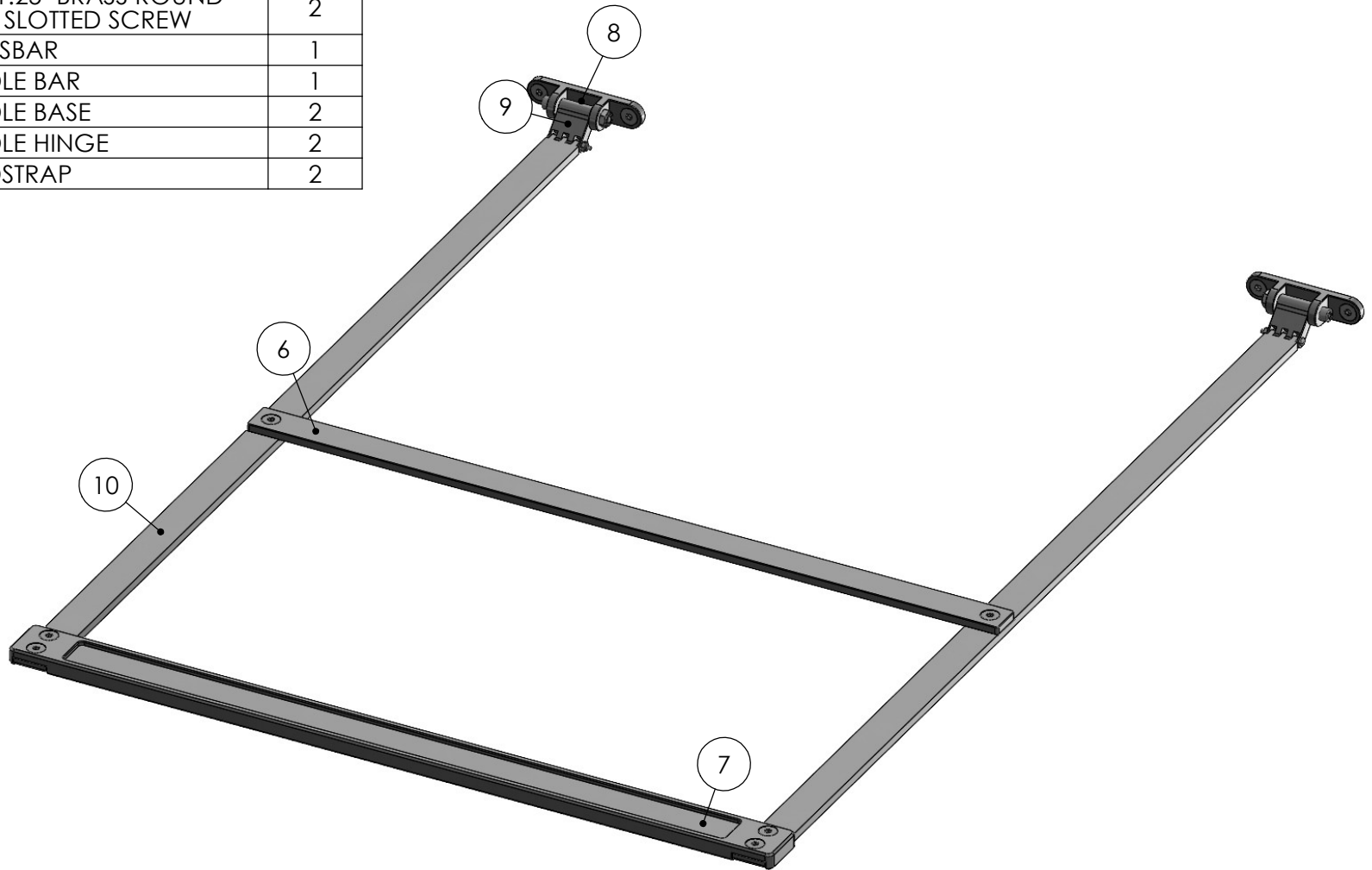
****DO NOT PULL CYLINDER ROD OUT.****



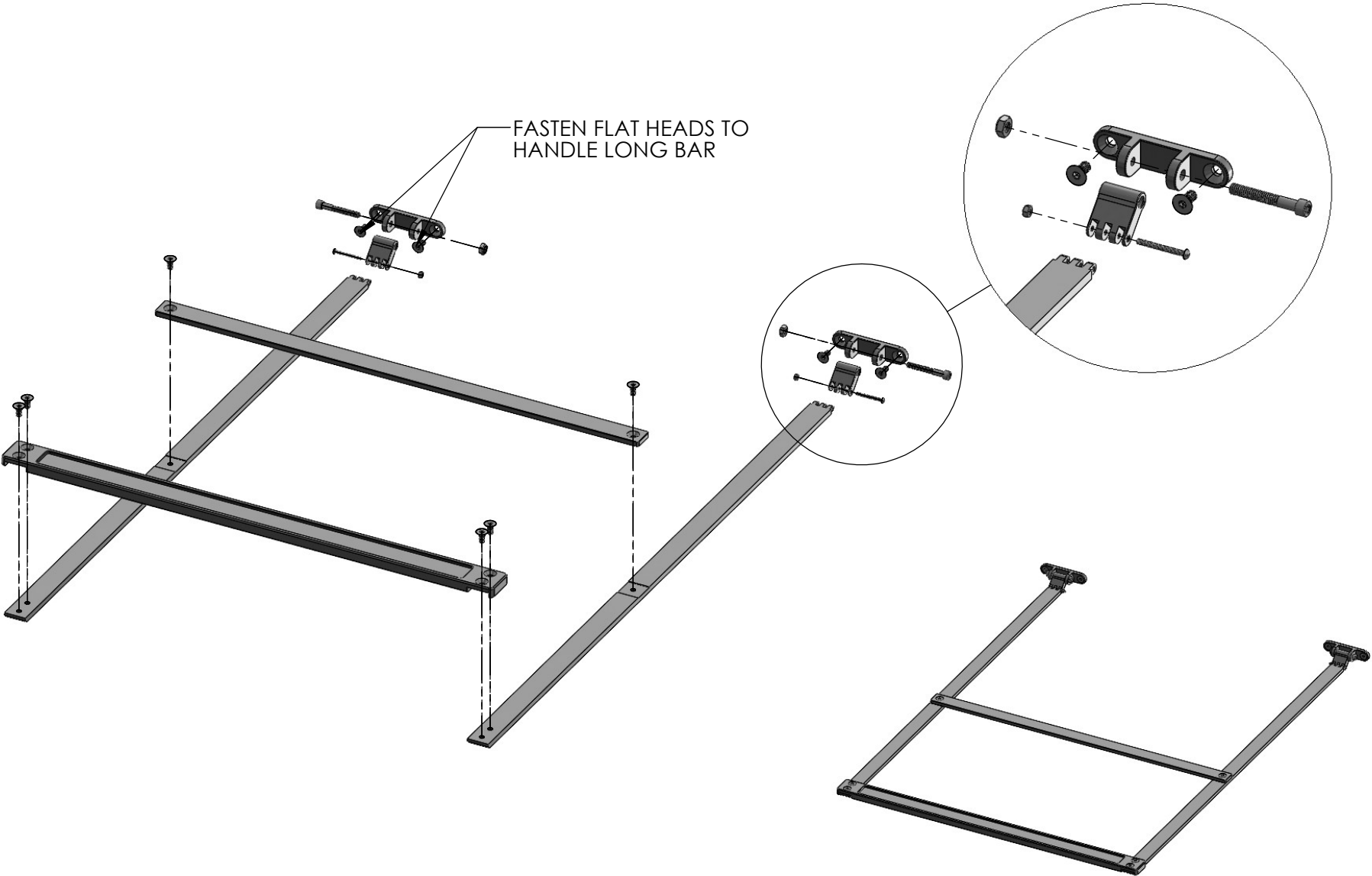
*APPLY **RED** THREAD LOCK TO ENDCAP BOLTS AND TIGHTEN STEPS FIVE AND NINE*

HANDLE ASSEMBLY

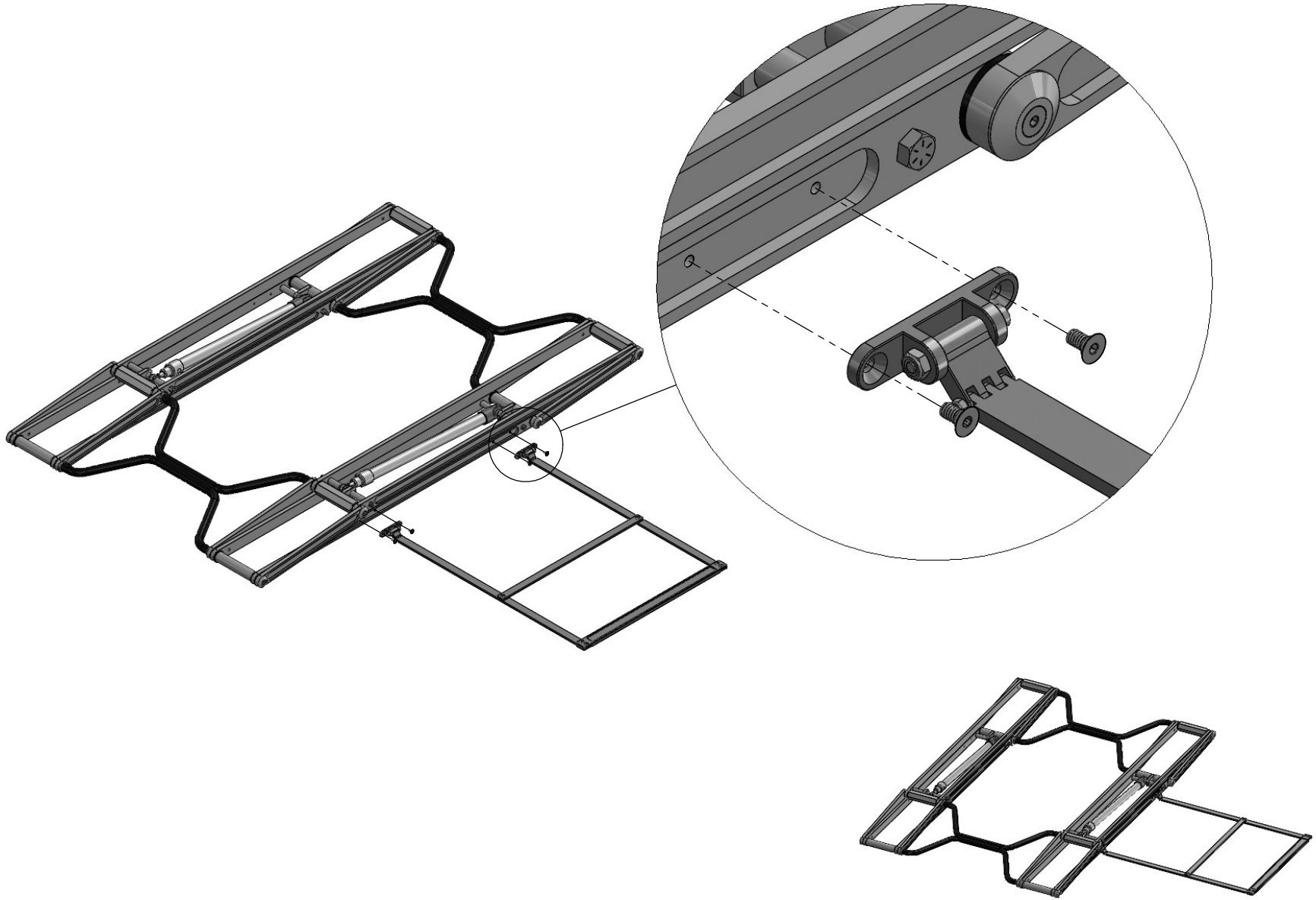
ITEM NO.	PART NUMBER	QTY.
1	1/4-20 LOCKNUT	2
2	1/4-20X.5" FLATHEAD SCREW	10
3	1/4-20X1.75 SOCKETHEAD CAP SCREW	2
4	5-40 LOCKNUT	2
5	5-40X1.25" BRASS ROUND HEAD SLOTTED SCREW	2
6	CROSSBAR	1
7	HANDLE BAR	1
8	HANDLE BASE	2
9	HANDLE HINGE	2
10	HANDSTRAP	2

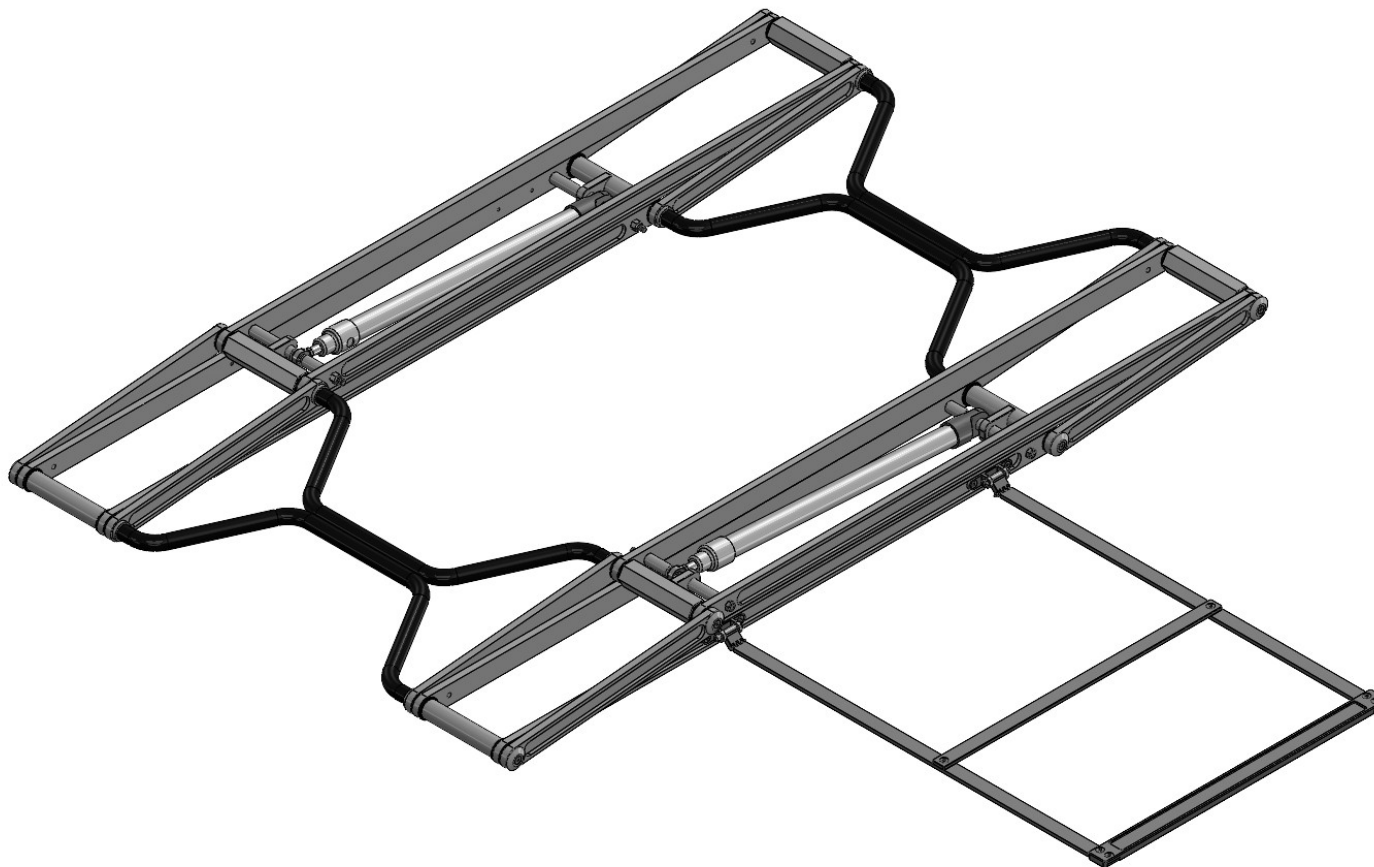


APPLY THREAD LOCKER TO ALL FLAT HEADS



2





DO NOT USE BEFORE READING CAUTION PAGE

FAQ



BATTERY SPECIFICATIONS

LENGTH; 7.75" WIDTH 5.125" HEIGHT: 7.25"

CRANKING AMPS; 430

CCA; 340-350

BATTERIES PLUS PART # **SLADC12-35J**

NAPA PART # **BAT 8227**

ADVANCE AUTO PART **U1-2**

HYDRAULIC OIL 1-GALLON PREMIUM CLEAR
AW32 OR BETTER

DO NOT USE ATF (AUTOMATIC TRANSMISSION
FLUID) OR ANY RED FLUID OF ANY TYPE
THIS WILL VOID THE WARRANTY ON THE
CYLINDERS/ PUMP/ HOSES /ETC.

WHAT ARE THE LIFTING CAPABILITIES?

4500LBS

WHAT HYDRAULIC SYSTEM DO YOU USE?

POWER UP/ POWER DOWN HYDRAULIC
SYSTEM

CAN I WASH MY CAR ON THE LIFT?

YES, BUT DO NOT PUT DIRECT WATER
PRESSURE ON THE CYLINDER SEALS

CAN I LEAVE MY CAR ON THE LIFT DURING THE WEEK?

YES. THERE IS NO LIMIT TO THE DURATION
OF TIME THE CAR CAN STAY ON THE LIFT

HOW MUCH DOES THE LIFT WEIGH?

67LBS

HOW MUCH DOES THE PUMP BOX ASSEMBLY WEIGH?

65LBS, BUT IT IS ALL HOUSED IN A COMPACT ROLL
AROUND TOOLBOX

WHAT ARE THE SAFETY FEATURES?

WITH OUR UNIT BEING POWER UP/ POWER
DOWN WE ARE ABLE TO GO PAST 90
DEGREES. WHEN THE LIFT IS ALL THE WAY UP
IT IS LOCKED. ALL LIFTS HAVE A BATTERY
DISCONNECT FEATURE AS WELL

WHAT ARE THE STANDARD DIMENSIONS?

- 41 INCHES OVERALL WIDTH
- 46.75 INCHES LONG
- 3 INCHES TALL WHEN COLLAPSED
- 32 INCHES CENTER TO CENTER

CONTACT
Info@tricontoolinc.com

CELL: 770-787-1002
OFFICE: 770-898-3907
171 Maranatha Road, McDonough, GA. 30252

WHO IS DIRTCARLIFT?

DirtCarLift.com was established in 2013. The company was built on a need for a better, faster, and safer way to service the racecar at the track or around the shop.

We now have thousands of clients spanning multiple divisions across the U.S, Australia, The Netherlands & Canada.

We pride ourselves in manufacturing a top of line all CNC machined, Power up/Power down, 4500lb lifting capacity hydraulic pit lift that is backed by phenomenal customer service.