



These instructions can be found in color and expandable at QA1.net

Technical Support Line: (952) 985-5675 Email: sales@QA1.net

# TK10 Tuning Kit Manual

Applicable for 5Q and 6Q series shocks

Also compatible with 53, 51, 60 and 62 Series

## Parts included in TK10

Material	Material Description	Quantity
7855-101	VALVE DISC, .708" X .395" X .015" 8PK	1
7855-102	VALVE DISC, .900" X .395" X .006" 8PK	1
7855-103	VALVE DISC, .900" X .395" X .008" 8PK	1
7855-104	VALVE DISC, .900" X .395" X .010" 8PK	1
7855-105	VALVE DISC, .900" X .395" X .012" 8PK	1
7855-106	VALVE DISC, .900" X .395" X .015" 8PK	1
7855-107	VALVE DISC, 1.100" X .395" X .006" 8PK	1
7855-108	VALVE DISC, 1.100" X .395" X .008" 8PK	1
7855-109	VALVE DISC, 1.100" X .395" X .010" 8PK	1
7855-110	VALVE DISC, 1.100" X .395" X .012" 8PK	1
7855-111	VALVE DISC, 1.100" X .395" X .015" 8PK	1
7855-178	VALVE DISC, 1.300" X .395" X .004" 8PK	1
7855-112	VALVE DISC, 1.300" X .395" X .006" 8PK	1
7855-113	VALVE DISC, 1.300" X .395" X .008" 8PK	1
7855-114	VALVE DISC, 1.300" X .395" X .010" 8PK	1
7855-115	VALVE DISC, 1.300" X .395" X .012" 8PK	1
7855-116	VALVE DISC, 1.300" X .395" X .015" 8PK	1
7855-197	VALVE DISC, 1.300" X .395" X .020" 8PK	1
9055-293	BASE VALVE ASSEMBLY, LBCT SOFT	1
9055-419	BASE VALVE ASSEMBLY, LBCT SOFT-FIRM	1
9055-433	BASE VALVE ASSEMBLY, LBCT MEDIUM	1
9055-325	BASE VALVE ASSEMBLY, LBCT FIRM	1
7857-101	CHECK BALL, 1/8" 8PK	1
7857-103	PIN, DOWEL 1/16" X .312" 8PK	1
7855-184	BLEED SHIM 5PK / .025", 1 SLOT	1
7855-187	BLEED SHIM 5PK / .080", 2 SLOT	1
7855-206	BLEED SHIM 5PK / .125", 3 SLOT	1

## Rebuild seal kits for large body Twin tube shocks:

P/N **RK13** – 5Q and 6Q Series

*Includes*

9044-117	CLOSURE NUT O-RING / METRIC 3.0MM X 44MM	1
9044-117	BODY TO BASE O-RING (5Q) / METRIC 3.0MM X 44MM	1
9044-201	BODY TO BASE O-RING (6Q) / 2" x .070"	1
9014-529	CLOSURE NUT WITH SEAL	1
9042-142	MAIN SEAL	1
9044-227	COMPRESSION TUBE TO GLAND O-RING / METRIC 1.5MM X 31MM	1
9013-186	HYPERSCREW	1
9005-312	SEAL RETAINING WASHER	1
9042-121	TRAVEL INDICATOR	1
9042-138	PISTON BAND	1
9044-188	PISTON O-RING / METRIC 1.0MM X 30MM	1

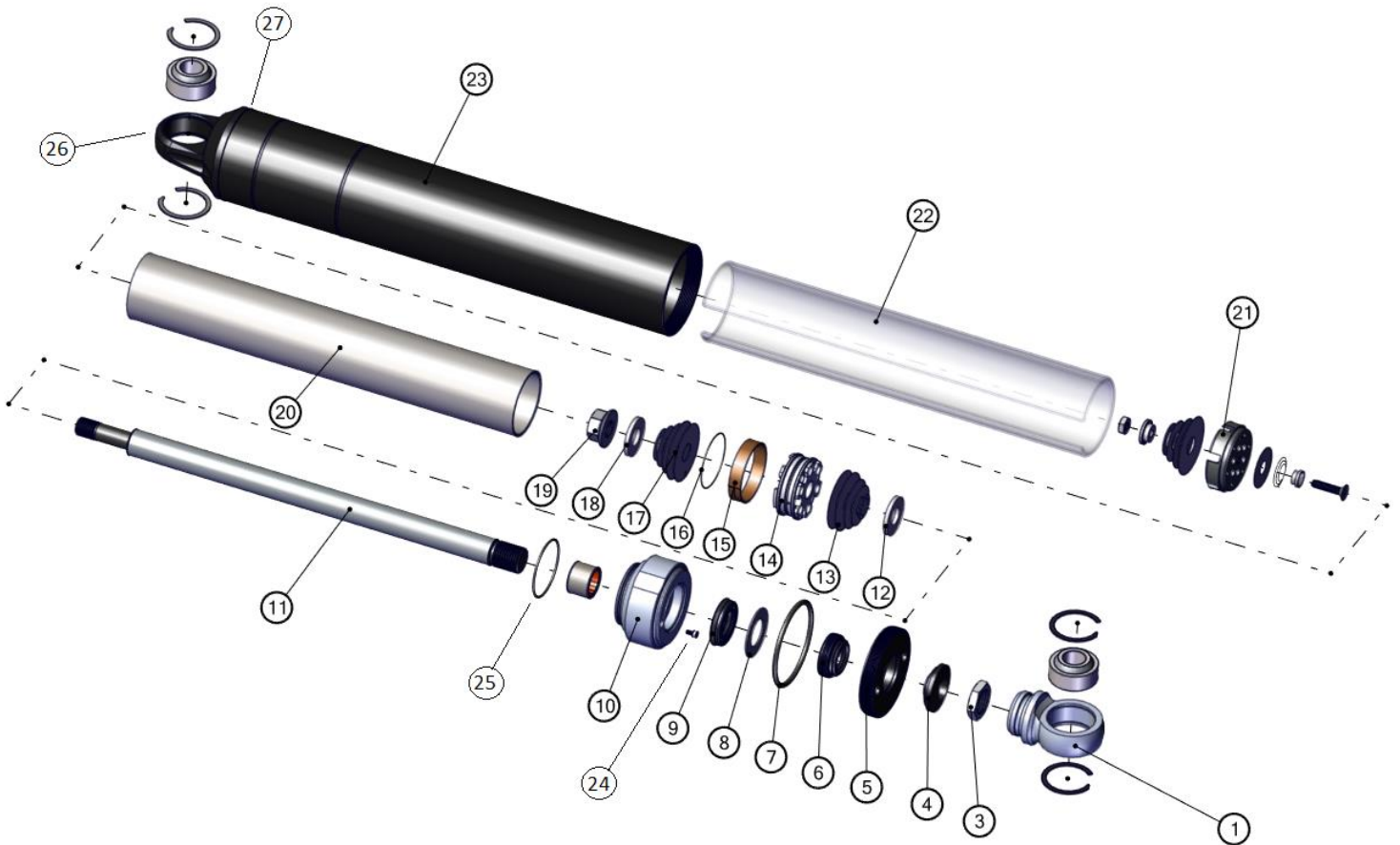
P/N **RK01** – 51, 53, 60 and 62 series

*Includes*

9044-106	Inner gland O-Ring	1
9042-103	SEAL, SHAFT, 15mm ROD	1
9044-117	Closure Nut O-ring	1
9042-121	BUMPER, COMPRESSION 9/16" TRAVEL IND.	1
9046-101	WIPER, .625" ROD	1
9042-126	SEAL, PISTON BAND, 35MM	1
9046-107	WIPER, 15mm ROD	1

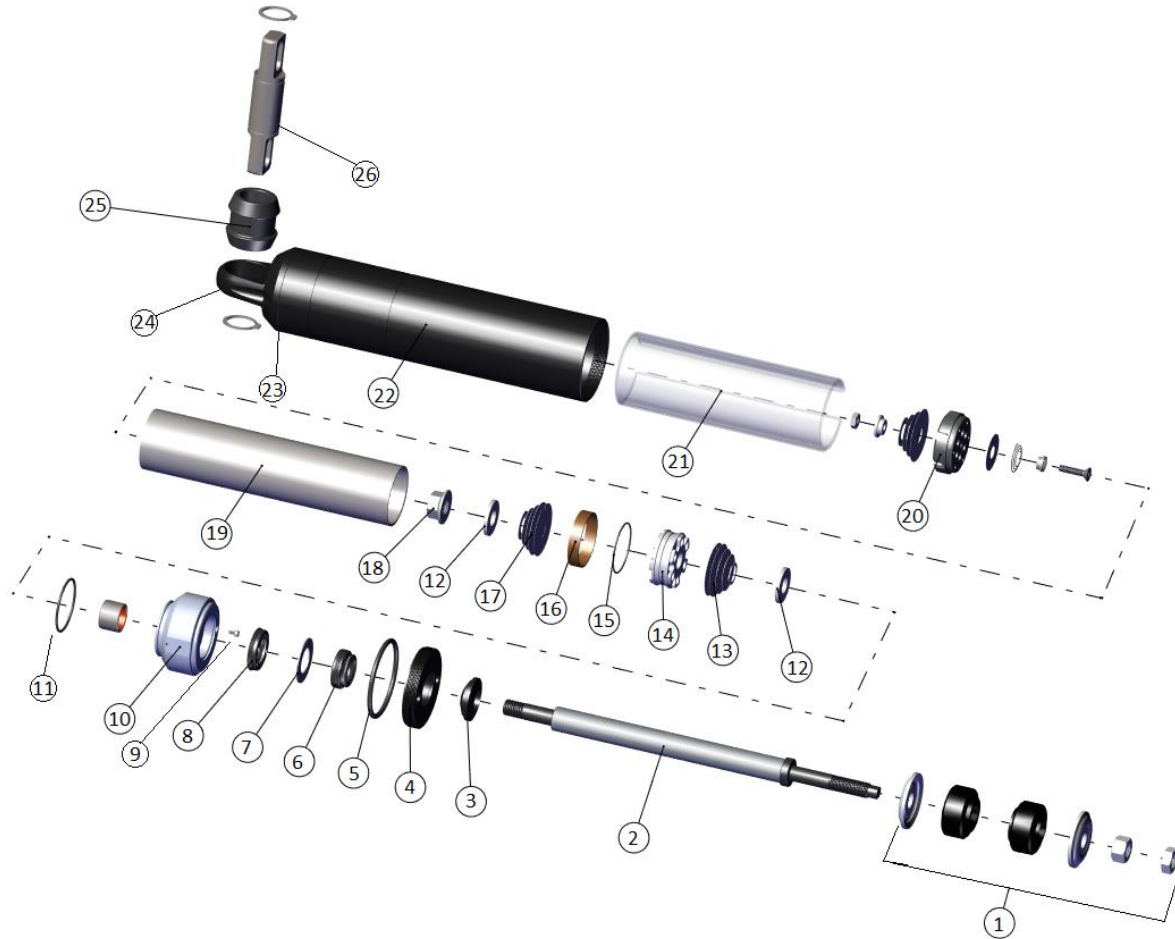
<b>Bleed Shim Specifications</b>				
<b>5pk P/N</b>	<b>Slot Width</b>	<b># Slots</b>	<b>Bleed Size <math>\varnothing</math></b>	<b>Ind. P/N</b>
7855-184	0.025"	1	.014"	9055-341
7855-187	0.080"	2	.035"	9055-344
7855-206	0.125"	3	.054"	9055-421

## 5Q Bearing Mount Parts List



Item	Part #	Description	Item	Part #	Description
*	<b>9036-198</b>	+1" extended steel bearing loop assembly	7-10	<b>9054-369</b>	Gland assembly (includes bushing, seal and O-rings)
*	<b>9036-199</b>	+2" extended steel bearing loop assembly	15	<b>9042-138</b>	Piston band, 35mm
1	<b>9036-103</b>	Steel bearing loop assembly *incl. bearing	16	<b>9044-188</b>	PISTON BAND O-RING
3	<b>9014-113</b>	Jam nut, 9/16"-18 thread	19	<b>9014-420</b>	Piston nut, Spiralock
4	<b>9042-121</b>	Travel indicator	20	<b>9053-123</b>	7" compression tube (OAL 9.05")
5&6	<b>9014-529</b>	CLOSURE NUT WITH SEAL	20	<b>9053-125</b>	9" compression tube (OAL 11.063")
7	<b>9044-117</b>	Closure nut O-ring	21	<b>9055-293</b>	Soft basevalve (1-5 compression)
8	<b>9005-312</b>	SEAL RETAINING WASHER	21	<b>9055-433</b>	Medium basevalve (6-9 compression)
9	<b>9042-142</b>	MAIN SEAL	21	<b>9055-325</b>	Firm basevalve (10-13 compression)
11	<b>9028-119</b>	3" piston rod (OAL 5.93")	21	<b>9055-419</b>	Soft-Firm basevalve (compression 1-5 with Rebound 10-13)
11	<b>9028-120</b>	4" piston rod (OAL 7.43")	22	<b>9052-111</b>	7" gas bag (4.5" x 9")
11	<b>9028-121</b>	5" piston rod (OAL 8.43")	22	<b>9052-121</b>	9" gas bag (5.4" x 9.5")
11	<b>9028-122</b>	6" piston rod (OAL 9.43")	23	<b>9750-153</b>	7" body sleeve
11	<b>9028-118</b>	7" piston rod (OAL 10.43")	23	<b>9750-155</b>	9" body sleeve
11	<b>9028-138</b>	8" piston rod (OAL 11.43")	24	<b>9013-186</b>	HYPER SCREW
11	<b>9028-114</b>	9" piston rod (OAL 12.43")	25	<b>9044-227</b>	COMPRESSION TUBE TO GLAND O-RING
12,18	<b>9005-237</b>	Valve stack washer	26	<b>9062-162</b>	CAP, STEEL LOOP, LBCT
13	**	Compression shim stack	27	<b>9044-117</b>	Body sleeve to body base O-ring
17	**	Rebound shim stack	*	<b>RK13</b>	5Q series rebuild kit *incl. seals/O-ring for 1 shock
14	<b>9057-302</b>	Standard linear piston, 35mm	*	<b>SIB8-101PK</b>	Bearing kit (includes 2 bearings, 4 snap rings)
14	<b>9057-312</b>	Linear/digressive 35mm piston			

## 5Q Stock Mount Parts List (Front)



Item	Part #	Description	Item	Part #	Description
1	<b>MK03</b>	Stud top bushing kit	10	<b>9054-369</b>	Gland assembly (includes bushing, seal and o-rings)
2	<b>9028-244</b>	5Q93x piston rod (OAL 8.74")	11	<b>9044-227</b>	COMPRESSION TUBE TO GLAND O-RING
2	<b>9028-141</b>	5Q94x piston rod (OAL 9.48")	19	<b>9053-187</b>	5Q93x compression tube (OAL 5.54")
2	<b>9028-115</b>	5Q95x piston rod (OAL 10.23")	19	<b>9053-133</b>	5Q94x compression tube (OAL 6.30")
3	<b>9042-121</b>	Travel indicator	19	<b>9053-122</b>	5Q95x compression tube (OAL 7.04")
4&6	<b>9014-529</b>	CLOSURE NUT WITH SEAL	20	<b>9055-419</b>	Soft-Firm basevalve (compression 1-5 with Rebound 10-13)
5	<b>9044-117</b>	Closure nut o-ring	20	<b>9055-293</b>	Soft basevalve (1-5 compression)
7	<b>9005-312</b>	SEAL RETAINING WASHER	20	<b>9055-433</b>	Medium basevalve (6-9 compression)
8	<b>9042-142</b>	MAIN SEAL	20	<b>9055-325</b>	Firm basevalve (10-13 compression)
9	<b>9013-186</b>	HYPER SCREW	21	<b>9052-106</b>	5Q93x, 5Q94x gas bag (4.5" x 5.25")
12	<b>9005-237</b>	Valve stack washer	21	<b>9052-109</b>	5Q95x gas bag (4.5" x 7")
13	**	Compression shim stack	22	<b>9750-149</b>	5Q93x body sleeve
17	**	Rebound shim stack	22	<b>9750-150</b>	5Q94x body Sleeve
14	<b>9057-312</b>	Linear/digressive 35mm piston	22	<b>9750-151</b>	5Q95x body sleeve
14	<b>9057-302</b>	Standard linear piston, 35mm	23	<b>9044-117</b>	Body sleeve to body base o-ring
15	<b>9044-188</b>	PISTON BAND O-RING	24	<b>9062-162</b>	Cap, Steel loop
16	<b>9042-138</b>	Piston band, 35mm	25	<b>9032-150</b>	One piece poly bushing, .750" I.D.
18	<b>9014-420</b>	Piston nut, Spirallock	26	<b>BAR350K</b>	3.5" T-bar kit, includes snap rings and bolts/nuts
*	<b>9032-364</b>	Two-piece poly bushing, .750" I.D.	*	<b>RK13</b>	5Q series rebuild kit *incl. seals/O-ring for 1 shock

## 5Q Stock Mount Parts List (Rear)



Item	Part #	Description	Item	Part #	Description
**	<b>9032-364</b>	Two-piece poly bushing, .750" I.D.	10	<b>9054-369</b>	Gland assembly (includes bushing, seal and O-ring)
**	<b>9032-365</b>	Two-piece poly bushing, .625" I.D.	11	<b>9044-227</b>	COMPRESSION TUBE TO GLAND O-RING
**	<b>MK03</b>	Stud top bushing kit	12	<b>9028-116</b>	5Q88x, 5Q58x piston rod (OAL 13.26")
1	<b>9032-150</b>	One piece poly bushing, .750" I.D.	12	<b>9028-138</b>	5Q68x piston rod (OAL 11.43")
1,2,27	<b>9036-237</b>	5Q68X EYELET/T-BAR ASSEMBLY	20	<b>9053-124</b>	5Q58x, 5Q68x , 5Q88x compression tube (OAL 10.06")
3	<b>9014-113</b>	Jam nut, 9/16"-18 thread	21	<b>9055-293</b>	Soft basevalve (1-5 compression)
4	<b>9042-121</b>	Travel indicator	21	<b>9055-419</b>	Soft-Firm basevalve (compression 1-5 with Rebound 10-13)
5,6	<b>9014-529</b>	CLOSURE NUT WITH SEAL	21	<b>9055-433</b>	Medium basevalve (6-9 compression)
7	<b>9044-117</b>	Closure nut o-ring	21	<b>9055-325</b>	Firm basevalve (10-13 compression)
8	<b>9005-312</b>	SEAL RETAINING WASHER	22	<b>9052-121</b>	5Q58x, 5Q68x, 5Q88x gas bag (5.4" x 9.5")
9	<b>9042-142</b>	MAIN SEAL	23	<b>9750-154</b>	5Q58x, 5Q68x, 5Q88x body sleeve
13	<b>9005-237</b>	Valve stack washer	24	<b>9044-117</b>	Body sleeve to body base O-ring
14	**	Compression shim stack	25	<b>9062-162</b>	Cap, Steel loop
18	**	Rebound shim stack	26	<b>9032-348</b>	One piece poly bushing, .625" I.D.
15	<b>9057-302</b>	Standard linear piston, 35mm	27	<b>BAR350K</b>	3.5" t-bar kit, includes snap rings and bolts/nuts
15	<b>9057-312</b>	Linear/digressive 35mm piston	28	<b>9013-186</b>	HYPERSCREW
16	<b>9044-188</b>	PISTON BAND O-RING			
17	<b>9042-138</b>	Piston band, 35mm			
19	<b>9014-420</b>	Piston nut, Spirallock			

## 6Q Bearing Mount Parts List



Item	Part #	Description	Item	Part #	Description
3	9014-113	Jam nut, 9/16"-18 thread	1	SIB8-101PK	Bearing kit (includes 2 bearings, 4 snap rings)
4	9042-121	Travel indicator	2	9036-104	Aluminum bearing loop assembly *incl. bearing & snap rings
5,7	9014-529	CLOSURE NUT WITH SEAL	11	9054-369	Gland assembly (includes bushing, seal and o-ring)
6	9044-117	Closure nut o-ring	15	**	Compression Shim Stack
8	9005-312	SEAL RETAINING WASHER	19	**	Rebound Shim Stack
9	9042-142	MAIN SEAL	21	9053-122	5" compression tube (OAL 7.04")
10	9013-186	HYPER SCREW	21	9053-128	6" compression tube (OAL 8.05")
12	9044-227	Comp. tube to gland O-ring	21	9053-123	7" compression tube (OAL 9.05")
13	9028-121	5" piston rod (OAL 8.43")	21	9053-124	8" compression tube (OAL 10.06")
13	9028-122	6" piston rod (OAL 9.43")	21	9053-125	9" compression tube (OAL 11.06")
13	9028-118	7" piston rod (OAL 10.43")	22	9055-293	Soft basevalve (1-5 compression)
13	9028-138	8" piston rod (OAL 11.43")	22	9055-419	Soft-Firm basevalve (compression 1-5 with Rebound 10-13)
13	9028-114	9" piston rod (OAL 12.43")	22	9055-433	Medium basevalve (6-9 compression)
14	9005-237	Valve stack washer	22	9055-325	Firm basevalve (10-13 compression)
16	9057-302	Standard linear piston, 35mm	24	9762-153	5" threaded body sleeve
16	9057-312	Linear/digressive 35mm piston	24	9762-154	6" threaded body sleeve
17	9044-188	PISTON BAND O-RING	24	9762-155	7" threaded body sleeve
18	9042-138	Piston band, 35mm	24	9762-156	8" threaded body sleeve
20	9014-420	Piston nut, Spiralock	24	9762-157	9" threaded body sleeve
23	9052-109	5" gas bag (4.5" x 7")	25	9044-201	Body sleeve to body base o-ring
23	9052-110	6" gas bag (4.5" x 8")	26	9062-167	BASE, NON-ADJUSTABLE, ALUM.
23	9052-111	7" gas bag (4.5" x 9")	**	RK13	6Q series rebuild kit *incl. every seal/o-ring for 1 shock
23	9052-121	8" & 9" gas bag (5.4" x 9.5")			

# Rebuilding your QA1 Shocks

## Tools needed for rebuilding:

7791-162	Closure Nut Wrench
7791-157	Piston Rod Bullet
SF16	1 Gal. 5wt. Shock Oil
Soft Jaw Vise or Shock Vise	
Torque Wrench with 15mm Socket	
Soft Faced Mallet	
3/4" Wrench	
Paper towels	
Pick Set	
1.5 mm Allen Wrench	
Snap Ring Pliers	

**Important:** Before rebuilding or revalving your QA1 shocks, your work area must be clean. Shock performance is greatly affected by any contamination (i.e. dirt, dust, rag lint etc.).

### DISASSEMBLY:

1. Check shock mount bearings or bushings for excessive wear or play and replace as needed.
2. Clamp shock body eyelet in a vise with the shaft pointing up.
3. Fully extend the shock rod from the body.
4. Using a closure nut wrench, unscrew the shock closure nut.
5. Use a pick tool to remove the closure nut O-ring.
6. Remove the shock rod assembly, gland, and compression (inner) tube by pulling up on the shock rod.
7. Remove the gas bag from the shock and set it aside in area where it will not collect debris.
8. Over a drain pan, gently tap the gland and shaft assembly away from the compression tube with a soft faced mallet.
9. Pour the oil from the shock body and compression tube. Watch for any debris in the used oil and properly dispose of the oil.
10. Clean the parts with mild solvent as necessary and set aside.
11. Clamp the piston rod eyelet (or stud top) in a vise with the piston pointing up.
12. Remove the 15mm nut to access the piston valving. Remove the piston and the valving.
13. If not revalving, the rebound stack, piston, and compression stack need to be kept in their original order for re-assembly.
14. Remove the gland assembly, and the piston rod seal from the rod.
15. Remove seals, O-rings, and hyper screw from the gland.

### ASSEMBLY:

1. Inspect the gland bushing for wear, and replace the gland assembly if the bushing is loose on the shaft.
2. Install new seals into gland.

3. Reassemble the shaft with the travel indicator, closure nut and gland assembly.
4. If revalving, go to pages 9-11 for valving charts and corresponding basevalves.
5. With shaft still in the vise, assemble the compression valving, piston, and rebound valving. The compression valve stack is on the bottom of piston and the rebound valve stack on top.
6. Torque the 15mm lock nut to 20 ft/lbs. (240 in/lbs.).
7. Pour about an inch of oil into the shock body.
8. Layer the gas bag with a small amount oil and wrap around the compression tube.
9. Gently insert the compression tube and gas bag into the shock body, base valve first. Verify that the base valve is seated into base of the shock body properly.
10. IMPORTANT: Do not tear the gas bag or pinch it under the base valve. Also be sure to keep the top of the gas bag below the top of the compression tube once installed.
11. Fill the shock body and compression tube with shock oil to just above (1/8") the top of the compression tube.
12. Move the compression tube around in a circular motion to free any trapped air bubbles.
13. Insert the piston rod assembly, with the piston band, into the compression tube.
14. With the piston assembly submerged approximately 1", tap the shock rod eyelet with a soft mallet. This opens the compression valve stack to release any air trapped inside the piston.
15. Use your thumb/fingers to hold the compression tube down with one hand, cycle the piston rod assembly about 2 inches to cycle any trapped air out of the shock body.
16. Once there are no more air bubbles surfacing, raise the shock shaft until the piston is at the top of the compression tube.
17. While keeping the piston at the top of the compression tube, slide the gland into the shock body and push down so it seats into the compression tube. Oil should come up through the gland bleed port. NOTE: Remember we are attempting to build a shock without any air trapped inside.
18. Keep the shock fully extended and slide the rod seal into the gland if out of place with the retaining washer on top. Push the closure nut O-ring into the outer groove of the gland and install the hyperscrew into the bleed port.
19. Wipe away or soak up any oil that is now on top of the gland assembly.
20. Install and tighten the closure nut.
21. Invert the shock and wipe off any excess oil.
22. Stroke the shock and check for smooth operation. Rough or jerky movement indicates that air is trapped inside - repeat the steps above.
23. If you compress the shock and the piston rod shoots back out, you likely have too soft of a basevalve compared to the compression valving on the piston. If the basevalve is softer than the compression stack on the piston, the rod will spring back after the shock is compressed. If this happens, double check the basevalve to make sure the proper one was used. (See basevalve info on page 11)



# Large Body Twin Tube Linear Valvings 5Q,6Q series

	1	2	3	4	5	6	7	8	9	10	11	12	13																		
<b>Base Valve</b>	<b>Soft Base Valve 9055-293</b>				<b>Medium Base Valve 9055-433</b>									<b>Firm Base Valve 9055-325</b>			<b>Soft-Firm Base Valve 9055-419 (comp 1-5 with reb 10-13)</b>														
																		XXXX	9005-237	9005-237	9005-237	9005-237	9005-237	9005-237	9005-237	9005-237	9005-237	9005-237	9005-237	9005-237	9005-237
																		XXXX	9005-238	9005-238	9005-238	9005-238	9005-238	9005-238	9005-238	9005-238	9005-238	9005-238	9005-238	9005-238	9005-238
																		XXXX	9005-238	9005-238	9005-238	9005-238	9005-238	9005-238	9005-238	9005-238	9005-238	9005-238	9005-238	9005-238	9005-238
	XXXX											.7 x .015	.7 x .015	.9 x .015																	
	XXXX										.7 x .015	.9 x .015	1.1 x .015	1.1 x .015																	
	XXXX									.7 x .015	.9 x .015	1.1 x .015	1.1 x .015	1.1 x .015																	
	XXXX							.7 x .015	.7 x .015	.9 x .015	1.1 x .015	1.1 x .015	1.1 x .015	1.1 x .015																	
	XXXX	.7 x .015	1.1 x .008	1.1 x .010	1.1 x .012	1.1 x .010	1.1 x .010	1.1 x .012	1.1 x .012	1.1 x .015	1.1 x .015	1.1 x .015	1.3 x .015	1.3 x .015																	
	XXXX	1.3 x .006	1.3 x .006	1.3 x .008	1.3 x .010	1.3 x .008	1.3 x .010	1.3 x .010	1.3 x .012	1.3 x .015	1.3 x .015	1.3 x .015	1.3 x .015	1.3 x .015																	
	<b>Piston</b>	9057-302	9057-302	9057-302	9057-302	9057-302	9057-302	9057-302	9057-302	9057-302	9057-302	9057-302	9057-302	9057-302																	
<b>Bleed shim</b>	9055-421	9055-421	9055-421	9055-421	9055-421	9055-421	9055-421	9055-421	9055-421	9055-421	9055-421	9055-421	9055-421																		
	1.3 x .006	1.3 x .006	1.3 x .006	1.3 x .008	1.3 x .010	1.3 x .010	1.3 x .012	1.3 x .012	1.3 x .015	1.3 x .015	1.3 x .015	1.3 x .015	1.3 x .015																		
	1.1 x .006	1.1 x .008	1.1 x .008	1.1 x .010	1.1 x .012	1.1 x .012	1.1 x .012	1.1 x .012	1.1 x .015	1.1 x .015	1.3 x .015	1.3 x .015	1.3 x .015																		
		.9 x .006	1.1 x .008	1.1 x .010	1.1 x .012	1.1 x .012	1.1 x .015	1.1 x .015	1.1 x .015	1.1 x .015	1.1 x .015	1.1 x .015	1.1 x .015																		
			.7 x .015	.7 x .015	.7 x .015	.7 x .015	.7 x .015	.9 x .015	.9 x .015	.9 x .015	1.1 x .012	1.1 x .015	1.1 x .015																		
								.7 x .015	.7 x .015	.9 x .015	.9 x .015	.9 x .015	1.1 x .015																		
										.7 x .015	.7 x .015	.9 x .015	1.1 x .015																		
											.7 x .015	.7 x .015	.7 x .015																		
	9005-238	9005-238																													
	9005-238	9005-238	9005-238	9005-238	9005-238	9005-238	9005-238	9005-238	9005-238	9005-238	9005-238	9005-238	9005-238																		
	9005-237	9005-237	9005-237	9005-237	9005-237	9005-237	9005-237	9005-237	9005-237	9005-237	9005-237	9005-237	9005-237																		
	<b>1</b>	<b>2</b>	<b>3</b>	<b>4</b>	<b>5</b>	<b>6</b>	<b>7</b>	<b>8</b>	<b>9</b>	<b>10</b>	<b>11</b>	<b>12</b>	<b>13</b>																		

Compression

Rebound



REBOUND SIDE                      COMPRESSION SIDE

## Large Body 6Q and 5Q Split Valving

		2	2	3	3	3	4	4	4	4	4	4	5	
<b>Compression</b>	<b>Base Valve</b>	Soft 9055-293	Soft/Firm 9055-419	Soft 9055- 293	Soft 9055- 293	Soft/Firm 9055-419	Soft/Firm 9055-419	Soft/Firm 9055-419	Soft/Firm 9055-419	Soft 9055- 293	Soft 9055- 293	Soft 9055- 293	Soft 9055- 293	
		9005-237	9005-237	9005-237	9005-237	9005-237	9005-237	9005-237	9005-237	9005-237	9005-237	9005-237	9005-237	
		9005-238	9005-238	9005-238	9005-238	9005-238	9005-238	9005-238	9005-238	9005-238	9005-238	9005-238	9005-238	
		9005-238	9005-238	9005-238	9005-238	9005-238	9005-238	9005-238	9005-238	9005-238	9005-238	9005-238	9005-238	
				.9 x .008	.9 x .008	.9 x .006	.9 x .010	.9 x .010	.9 x .010	.9 x .010	.9 x .010	.9 x .010	.9 x .010	.9 x .012
		.7 x .015		1.1 x .008	1.1 x .008	1.1 x .006	1.1 x .008	1.1 x .008	1.1 x .008	1.1 x .008	1.1 x .010	1.1 x .010	1.1 x .010	1.1 x .012
		1.3 x .006	1.3 x .006	1.3 x .006	1.3 x .006	1.3 x .006	1.3 x .006	1.3 x .006	1.3 x .006	1.3 x .006	1.3 x .008	1.3 x .008	1.3 x .008	1.3 x .010
		<b>Piston</b>	9057-302	9057-302	9057-302	9057-302	9057-302	9057-302	9057-302	9057-302	9057-302	9057-302	9057-302	9057-302
<b>Rebound</b>	<b>Bleed shim</b>	9055-344	9055-341	9055-344	9055-344	9055-341	9055-341	9055-341	9055-341	9055-344	9055-344	9055-344	9055-344	
		1.3 x .010	1.3 x .015	1.3 x .010	1.3 x .012	1.3 x .015	1.3 x .015	1.3 x .015	1.3 x .015	1.3 x .010	1.3 x .012	1.3 x .012	1.3 x .010	
		1.1 x .012	1.3 x .015	1.1 x .012	1.1 x .012	1.1 x .012	1.1 x .012	1.3 x .015	1.3 x .015	1.1 x .012	1.1 x .012	1.1 x .012	1.1 x .012	
		1.1 x .012	1.1 x .015	1.1 x .012	1.1 x .015	1.1 x .015	1.1 x .015	1.1 x .015	1.3 x .015	1.1 x .012	1.1 x .015	1.1 x .015	1.1 x .012	
		.7 x .015	1.1 x .015	.7 x .015	.9 x .015	.9 x .015	.9 x .015	1.1 x .015	1.1 x .015	.7 x .015	.7 x .015	.9 x .015	.7 x .015	
			.9 x .015		.7 x .015	.7 x .015	.7 x .015	.9 x .015	1.1 x .015			.7 x .015		
			.9 x .015					.9 x .015	1.1 x .015					
			.7 x .015					.7 x .015	.9 x .015					
									.7 x .015	.9 x .015				
										.7 x .015				
		9005-238	9005-238	9005-238	9005-238	9005-238	9005-238	9005-238	9005-238	9005-238	9005-238	9005-238	9005-238	
		9005-237	9005-237	9005-237	9005-237	9005-237	9005-237	9005-237	9005-237	9005-237	9005-237	9005-237	9005-237	
		6	12	6	8	10	10	12	13	6	7	8	6	

## Large Body 6Q and 5Q Split Valving

		5	5	5	6	6	6	7	8	9	9	9	
<b>Compression</b>	<b>Base Valve</b>	Soft 9055- 293	Soft/Firm 9055-419	Soft/Firm 9055-419	Medium 9055-433	Medium 9055-433	Medium 9055-433	Medium 9055-433	Medium 9055-433	Medium 9055-433	Medium 9055-433	Medium 9055-433	
		9005-237	9005-237	9005-237	9005-237	9005-237	9005-237	9005-237	9005-237	9005-237	9005-237	9005-237	
		9005-238	9005-238	9005-238	9005-238	9005-238	9005-238	9005-238	9005-238	9005-238	9005-238	9005-238	
		9005-238	9005-238	9005-238	9005-238	9005-238	9005-238	9005-238	9005-238	9005-238	9005-238	9005-238	
										.7 x .015	.7 x .015	.7 x .015	.7 x .015
		.9 x .012	.9 x .012	.9 x .012	.9 x .010	.9 x .010	.9 x .010	.9 x .010	.9 x .010	.9 x .012	.9 x .015	.9 x .015	.9 x .015
		1.1 x .012	1.1 x .012	1.1 x .012	1.1 x .010	1.1 x .010	1.1 x .010	1.1 x .012	1.1 x .012	1.1 x .015	1.1 x .015	1.1 x .015	1.1 x .015
		1.3 x .010	1.3 x .008	1.3 x .008	1.3 x .008	1.3 x .008	1.3 x .008	1.3 x .010	1.3 x .012	1.3 x .015	1.3 x .015	1.3 x .015	1.3 x .015
	<b>Piston</b>	9057-302	9057-302	9057-302	9057-302	9057-302	9057-302	9057-302	9057-302	9057-302	9057-302	9057-302	
<b>Rebound</b>	<b>Bleed shim</b>	9055-344	9055-341	9055-341	9055-344	9055-344	9055-344	9055-344	9055-344	9055-344	9055-344	9055-344	
		1.3 x .012	1.3 x .015	1.3 x .015	1.3 x .006	1.3 x .006	1.3 x .006	1.3 x .006	1.3 x .006	1.3 x .006	1.3 x .006	1.3 x .006	
		1.1 x .012	1.1 x .012	1.3 x .015	.9 x .006	1.1 x .006	.9 x .010	1.1 x .006	.9 x .006		.9 x .006	1.1 x .006	
		1.1 x .015	1.1 x .015	1.3 x .015		.7 x .015	.9 x .012	.7 x .015				.7 x .015	
		.7 x .015	.9 x .015	1.1 x .015			.7 x .015						
			.7 x .015	1.1 x .015									
				1.1 x .015									
				.9 x .015									
				.7 x .015									
						9005-238				9005-238	9005-238	9005-238	
		9005-238	9005-238	9005-238	9005-238	9005-238	9005-238	9005-238	9005-238	9005-238	9005-238	9005-238	
		9005-237	9005-237	9005-237	9005-237	9005-237	9005-237	9005-237	9005-237	9005-237	9005-237	9005-237	
		7	10	13	2	3	4	3	2	1	2	3	

# Linear/Digressive 6Q, 5Q series (9057-312)

	3	4	5			
Base Valve	Soft/Firm 9055-419	Soft/Firm 9055-419	Soft/Firm 9055-419			
Compression	9005-237	9005-237	9005-237			
	9005-238	9005-238	9005-238			
	9005-238	9005-238	9005-238			
		1.1 x .008	1.1 x .010			
		1.3 x .008	1.3 x .008	1.3 x .008		
	Piston	9057-312	9057-312	9057-312	9057-312	
	9055-335	9055-335	9055-335	9055-335	.542 x .020	
	9005-238	9005-238	9005-238	9005-238	.542 x .010	
Bleed Shim	9055-341	9055-341	9055-341	9055-341		
Rebound	1.3 x .012	1.3 x .012	1.3 x .015	1.3 x .015		
	1.3 x .012	1.3 x .012	1.3 x .015	1.3 x .015		
	1.3 x .012	1.3 x .012	1.3 x .015	1.3 x .015		
	1.3 x .012	1.3 x .012	1.3 x .015	1.3 x .015		
		1.3 x .012	1.3 x .012	1.3 x .015		
		1.3 x .010		1.3 x .015		
				1.3 x .012		
		9055-335	9055-335	9055-335	9055-335	.542 x .020
		9055-335	9055-335	9055-335	9055-335	.542 x .020
		9005-237	9005-237	9005-237	9005-237	
	400	500	650	850		

\*\*Linear Digressive valving uses standard valving numbers for compression. Rebound valving is the rebound force in pounds at 1 inch per second.

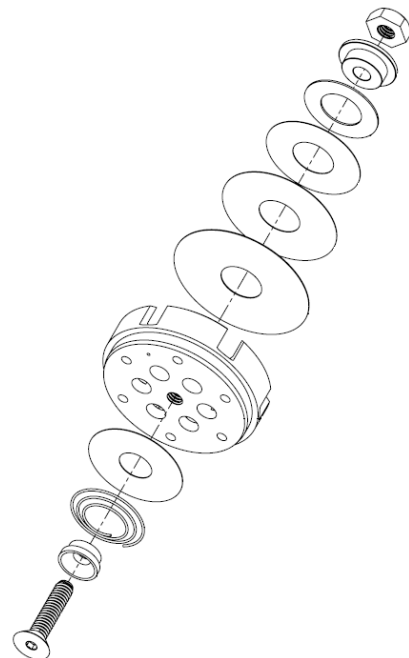


Rebound Side



Compression Side

Base Valve buids			
Soft	Soft/Firm	Medium	Firm
9055-293	9055-419	9055-433	9055-325
		.7 x .015	
	.7 x .015	.9 x .015	.7 x .015
.7 x .015	.9 x .008	1.1 x .015	.9 x .015
.9 x .008	1.1 x .008	1.1 x .015	.9 x .012
1.1 x .008	1.3 x .010	1.1 x .015	1.1 x .015
1.3 x .010	9055-341*	1.3 x .010	1.3 x .006
Housing .028" Bleed	Housing No Bleed	Housing .023" Bleed	Housing No Bleed
.9 x .006	.9 x .006	.9 x .006	.9 x .006
Spring	Spring	Spring	Spring
*9055-341 .025" slot bleed shim			





Technical Support Line: (952) 985-5675 Email: sales@QA1.net

READ ALL INSTRUCTIONS CAREFULLY AND THOROUGHLY PRIOR TO STARTING INSTALLATION. PRODUCTS THAT HAVE BEEN INSTALLED ARE NOT ELIGIBLE FOR RETURN. USE THE PROPER JACKING LOCATIONS. DEATH OR SERIOUS INJURY CAN RESULT IF INSTRUCTIONS ARE NOT CORRECTLY FOLLOWED. A GOOD CHASSIS MANUAL, AVAILABLE AT YOUR LOCAL PARTS STORE, MAY ALSO AID IN YOUR INSTALLATION.

• DISCLAIMER / WARRANTY •

QA1 WARRANTS THAT THE PRODUCTS WILL BE FREE FROM DEFECTS IN MATERIAL AND WORKMANSHIP FOR ONE YEAR FROM DATE OF SALE TO THE ORIGINAL PURCHASER. QA1 MAKES NO OTHER WARRANTY OF ANY KIND, EXPRESS OR IMPLIED. QA1 SHALL HAVE NO OBLIGATION UNDER THE FOREGOING WARRANTY WHERE THE DEFECT IS THE RESULT OF IMPROPER OR ABNORMAL USE, YOUR NEGLIGENCE, VEHICLE ACCIDENT, IMPROPER OR INCORRECT INSTALLATION OR MAINTENANCE, NOR WHEN THE PRODUCT HAS BEEN REPAIRED OR ALTERED IN ANY WAY. QA1'S LIABILITY IN THE CASE OF DEFECTIVE PRODUCTS SUBJECT TO THE FOREGOING WARRANTY SHALL BE LIMITED TO THE REPAIR OR REPLACEMENT, AT QA1'S OPTION, OF THE DEFECTIVE PRODUCTS.

THE USER UNDERSTANDS AND RECOGNIZES THAT RACING PARTS, SPECIALIZED STREET ROD EQUIPMENT, AND ALL PARTS AND SERVICES SOLD BY QA1 ARE EXPOSED TO MANY AND VARIED CONDITIONS DUE TO THE MANNER IN WHICH THEY ARE INSTALLED AND USED. QA1 SHALL BEAR NO LIABILITY FOR ANY LOSS, DAMAGE OR INJURY, EITHER TO A PERSON OR TO PROPERTY, RESULTING FROM THE INSTALLATION, DIRECT OR INDIRECT USE OF ANY QA1 PRODUCTS OR INABILITY BY THE BUYER TO DETERMINE PROPER USE OR APPLICATION OF QA1 PRODUCTS. WITH THE EXCEPTION OF THE LIMITED LIABILITY WARRANTY SET FORTH ABOVE, QA1 SHALL NOT BE LIABLE FOR ANY CLAIMS, DEMANDS, INJURIES, DAMAGES, ACTIONS, OR CAUSES OF ACTION WHATSOEVER TO BUYER ARISING OUT OF OR CONNECTED WITH THE USE OF ANY QA1 PRODUCTS. MOTORSPORTS ARE DANGEROUS; AS SUCH, NO WARRANTY OR REPRESENTATION IS MADE AS TO THE PRODUCT'S ABILITY TO PROTECT THE USER FROM INJURY OR DEATH. THE USER ASSUMES THAT RISK!

## Dedicated Technical Support Team

QA1 is dedicated to providing quality support and instructions. We employ passionate racers and car enthusiasts that know our products and the industry to better serve you.

Give our tech support line a call at **1.800.721.7761**

Visit online at [www.QA1.net/tech](http://www.QA1.net/tech) or [www.YouTube.com/QA1Tech](http://www.YouTube.com/QA1Tech) for:

- Frequently Asked Questions
- Quick Tips
- Install Information
- Tuning and Repair Guides
- Other Technical Information



Our technical support and order lines are open **Monday – Friday, 8 am to 5 pm CST.**

